

Trampoline Rado 225

Code: MA-SA-07



Description

Top quality trampoline for long term outdoor use for all year; can be left even in the wet condition. The trampoline is equipped with galvanized springs and a weather proof jumping mat.

Round shaped trampoline for playgrounds which are intensively use. The jumping mat is available in 6 colours and many patterns to choose. Trampoline is available in two version: openable and non-openable. Openable version facilitates cleaning inside the device.

The rubber collar is available in two options:

SBR – brown/red and black

EPDM – 25 different colours as per attached picture

It is possible to add patterns to the collar (diamonds, circles, squares, and stars).

Springs are made of galvanized steel, which are located around the jumping mat and connect the mat with internal galvanized chest.

Set:

1x jumping mat

1x elastic rubber collar

1x round metal chest

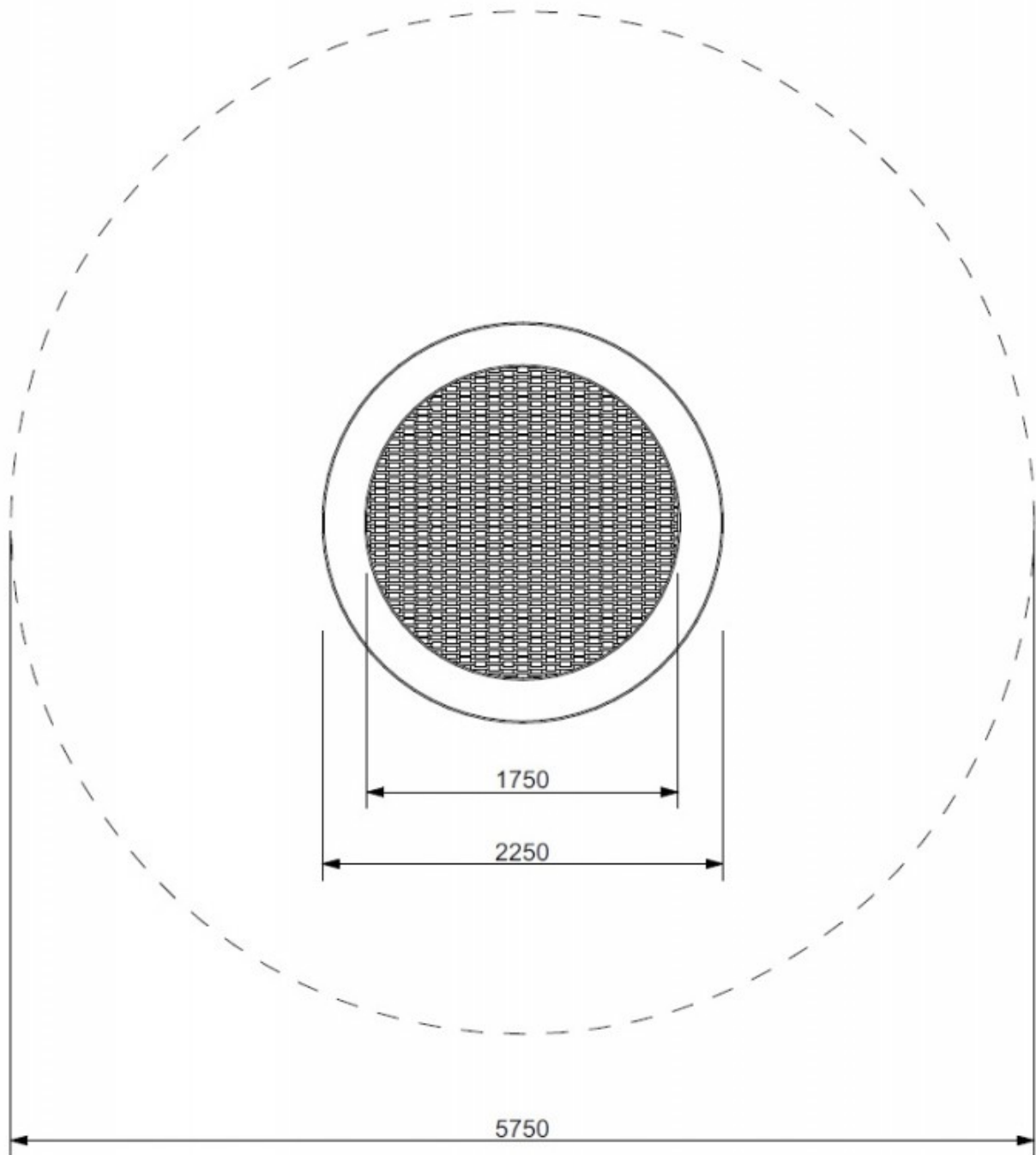
Product details

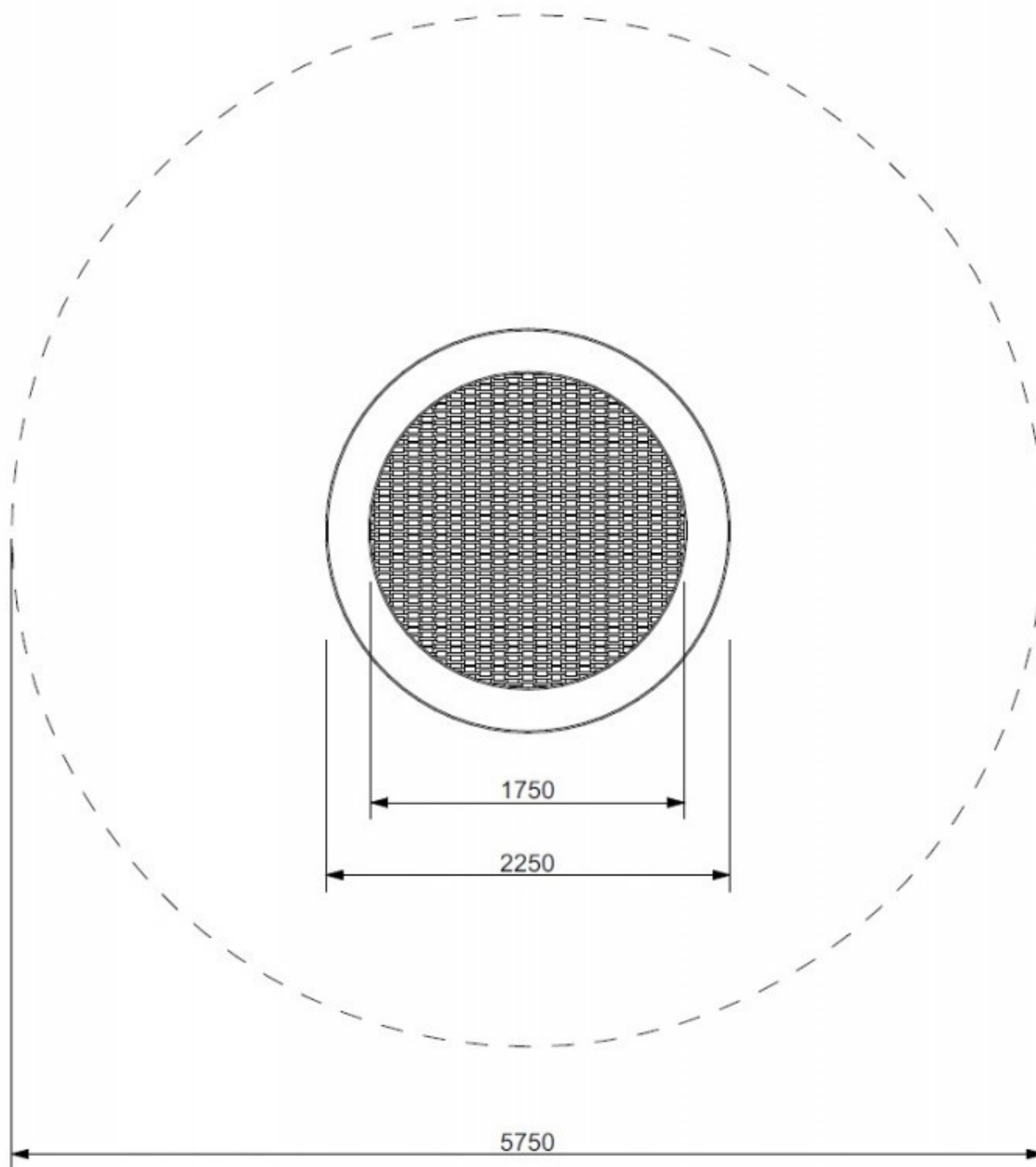
- Diameter of the device: 2,25 m
- Diameter of the jumping mat: 1,75 m
- Safety area: 5,75 x 5,75 m
- Number of users: 1 person
- Foundation depth - 0,40 m
- Certificate confirming compatibility with norm EN 1176

Materials

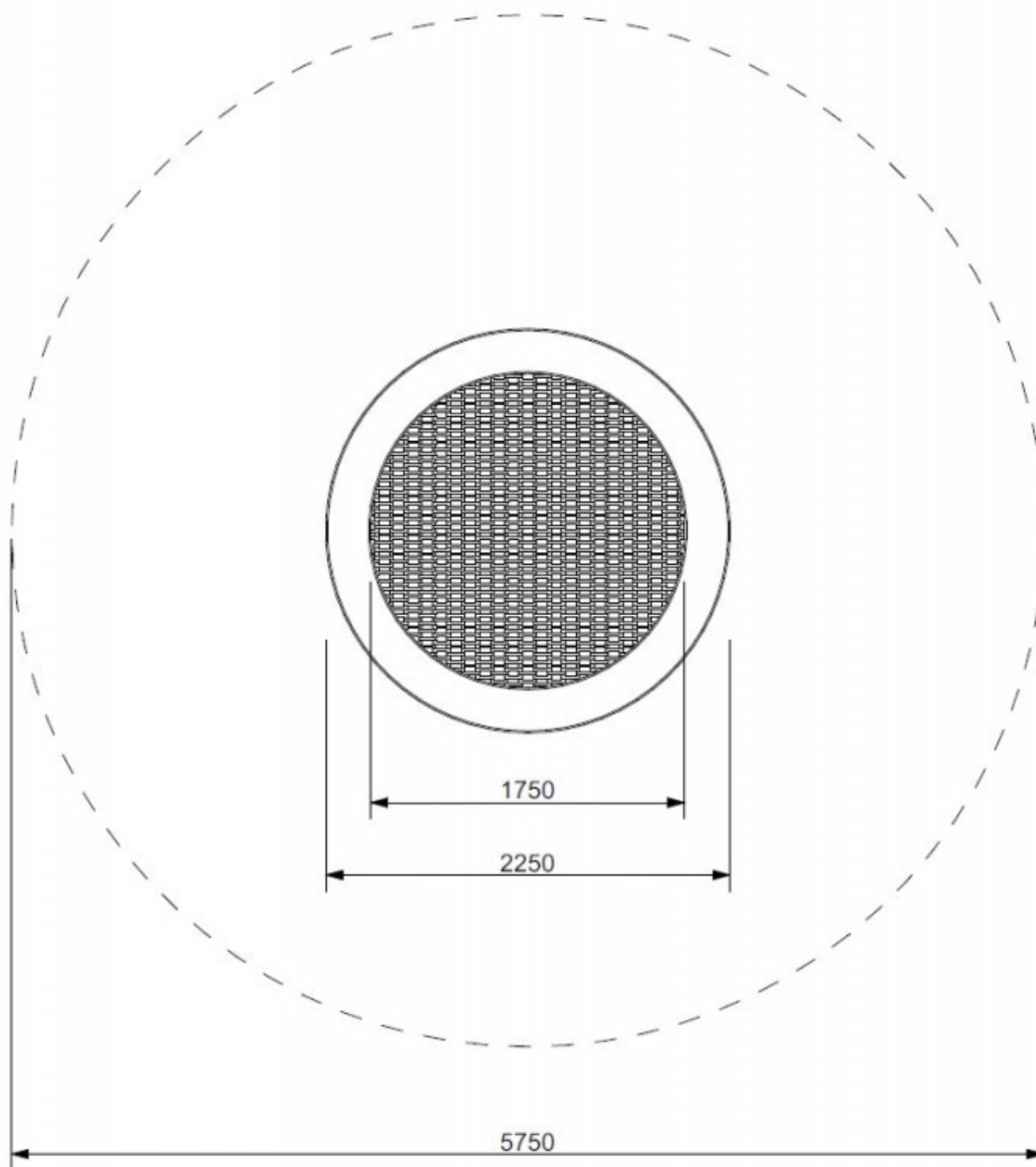
The jumping mat is made of lamellas coated with resistant and anti-slip material. Elastic collar around the jumping mat is made of SBR or EPDM rubber, which is durable and long-lasting. Round shaped chest is made of galvanized steel.

Attachments





Att. 1 . Trampoline dimensions.



Att. 2. Variety of rubber and jumping mat colours.