

Trampoline Tuto 1

Code: MA-SA-101



Description

Top quality trampoline for long term outdoor use for all year; can be left even in the wet condition. The trampoline is equipped with galvanized springs and a weather proof jumping mat.

Set of three round shaped trampoline for playgrounds which are intensively use. The jumping mat is available in 6 colours and many patterns to choose. Trampoline is available in two version: openable and non-openable. Openable version facilitates cleaning inside the device.

The rubber collar is available in two options:

SBR – brown/red and black

EPDM – 25 different colours as per attached picture

Springs are made of galvanized steel, which are located around the jumping mat and connect the mat with internal galvanized chest.

Set:

2 x Rado 125, 1 x Rado 175

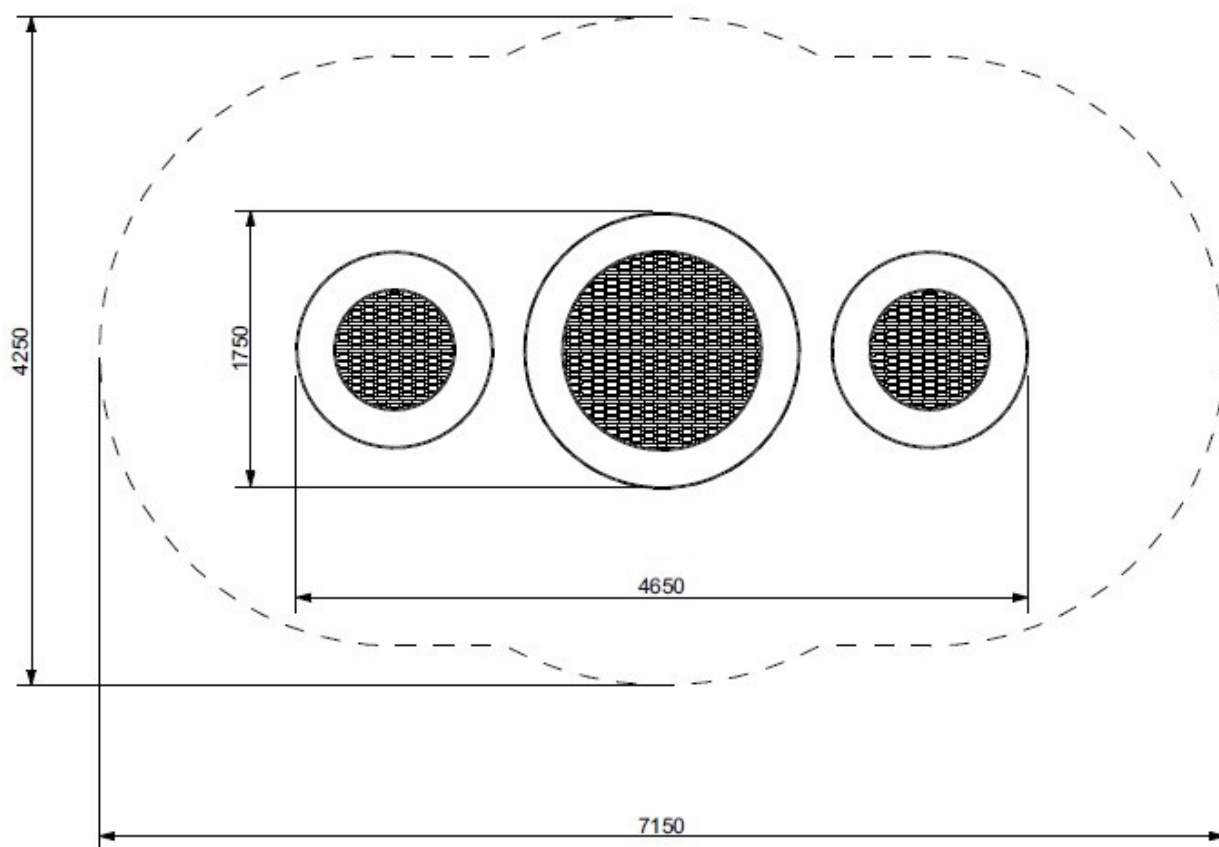
Product details

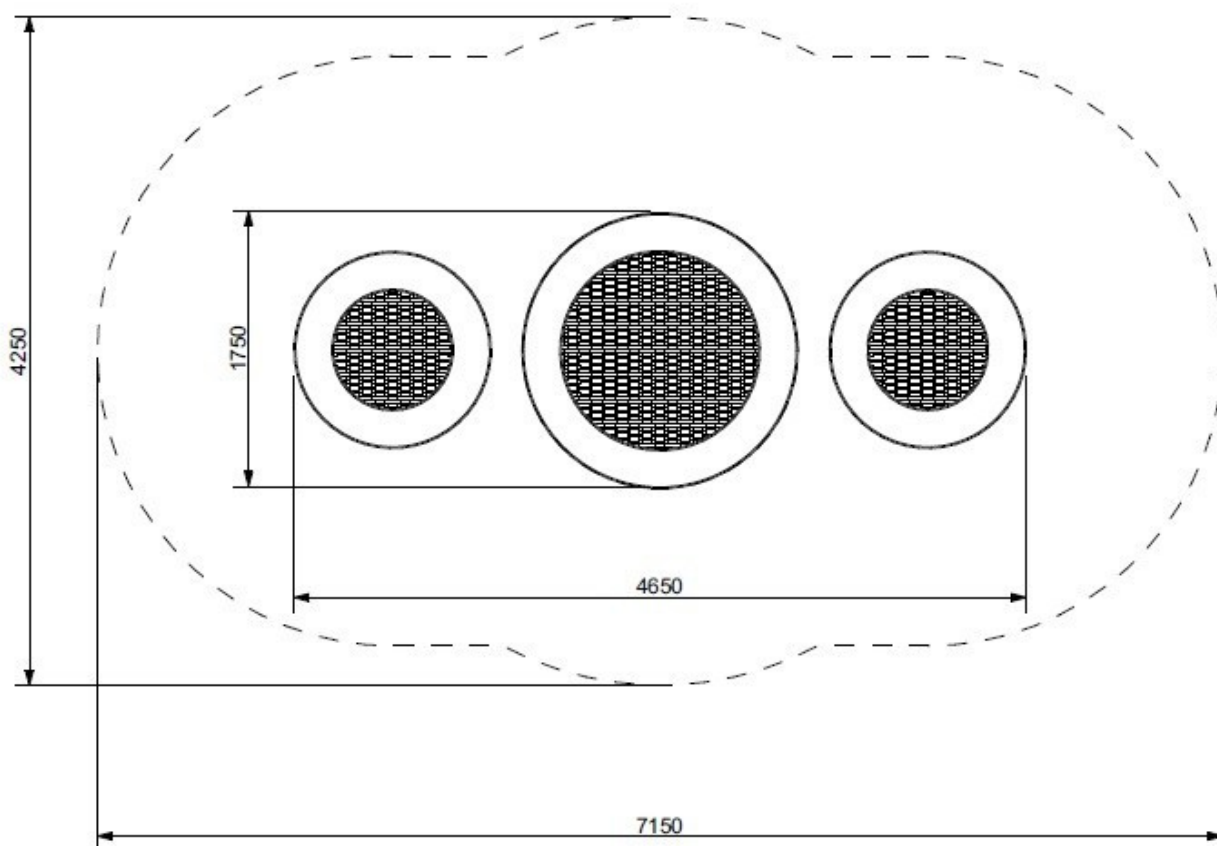
- Dimensions: 1,75 x 4,65 m
- Safety area: 4,25 x 7,15 m
- Number of users: 3 persons
- A certificate confirming compatibility with norm EN 1176-1:2017

Materials

The jumping mat is made of lamellas coated with resistant and anti-slip material. Elastic collar around the jumping mat is made of SBR or EPDM rubber, which is durable and long-lasting. Round shaped chest is made of galvanized steel.

Attachments





Att. 1 . Trampoline dimensions.



Att. 2. Variety of rubber and jumping mat colours.