

TRIPPLE SPRINGER CAR

HH1C02-302

Age group:
3 - 10 years



Number of users:



Dimensions of constructions:

l= 1,30 m
w= 1,30 m
h= 1,25 m



Risk of fall: 100 cm



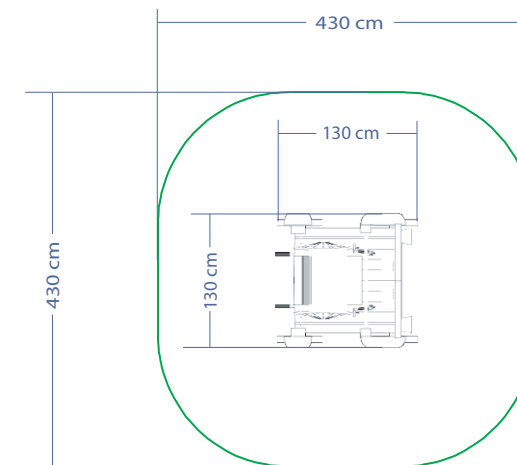
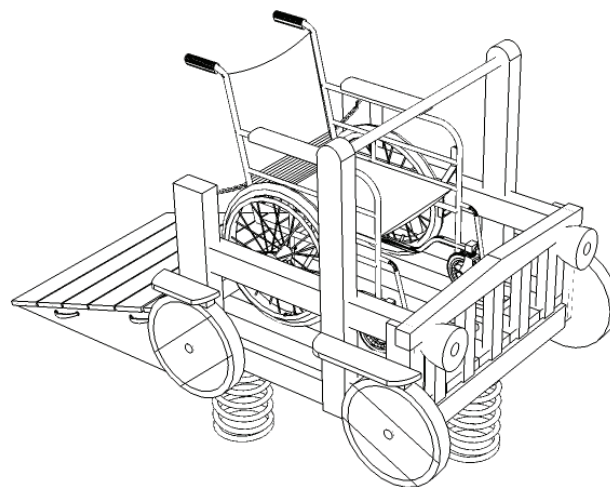
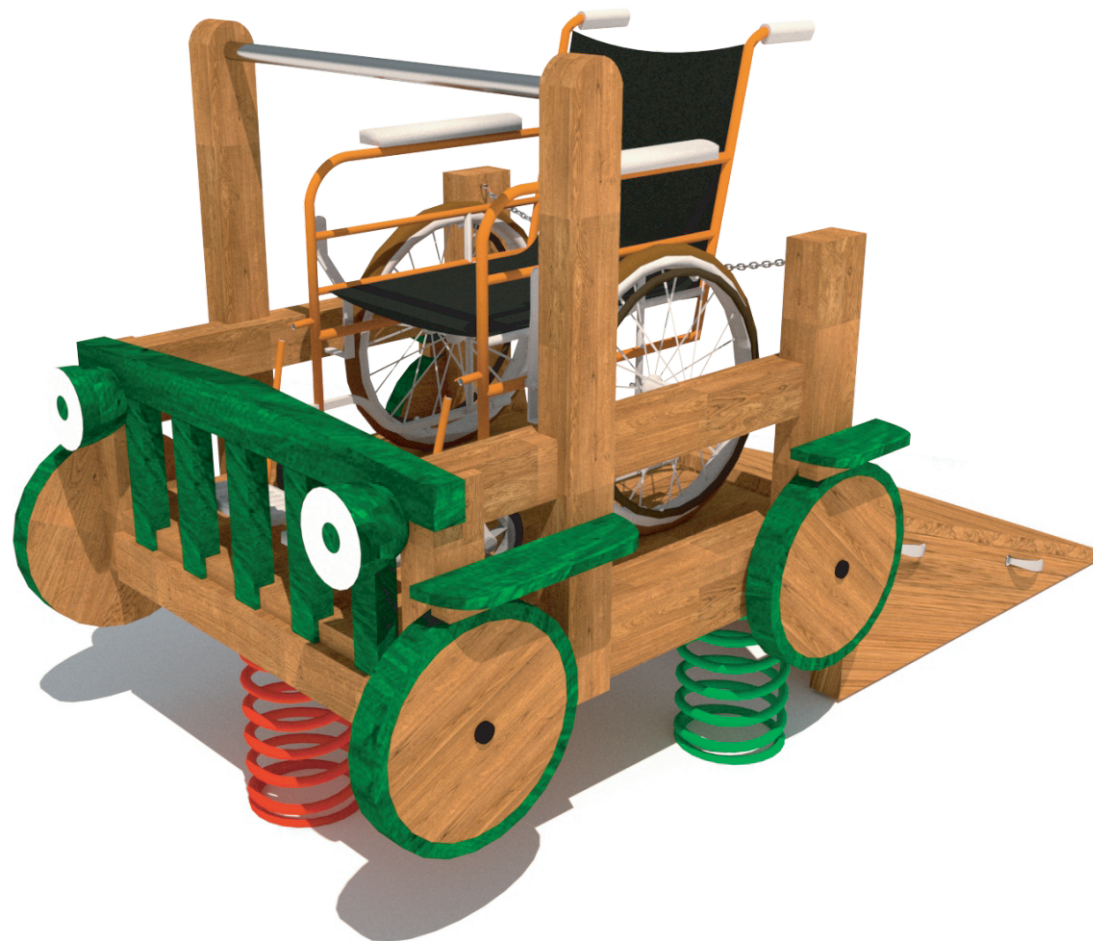
EN 1176-6 ed. 2 : 2018



Grass or compacted gravel
area - 15,5 m²



- ž material: wood: robinia / oak
- ž connecting material: galvanized steel
- ž steel spring with surface modification



Hřiště hrou s.r.o
Sobotecká 810, Turnov
511 01, Česká republika

(+420) 7 33 141 242
info@hristehrou.cz
www.hristehrou.cz

