

# TOWER SET WITH TUBE SLIDES



AT18030038-0-01

Age group:  
3 - 15 years



Number of users:



Dimensions of construction:

l= 14,10 m

w= 15,30 m

h= 7,50 m



Risk of fall: 40 cm



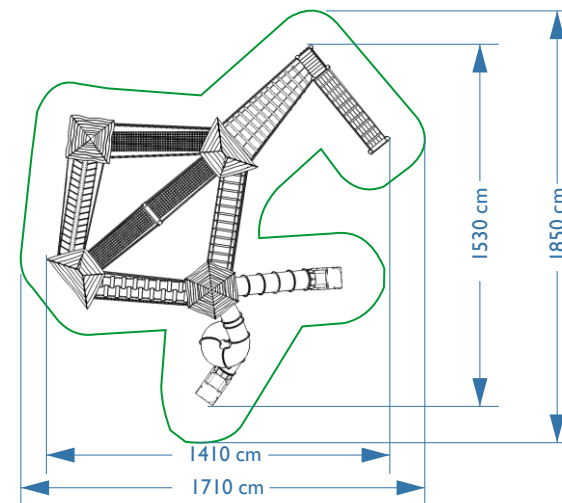
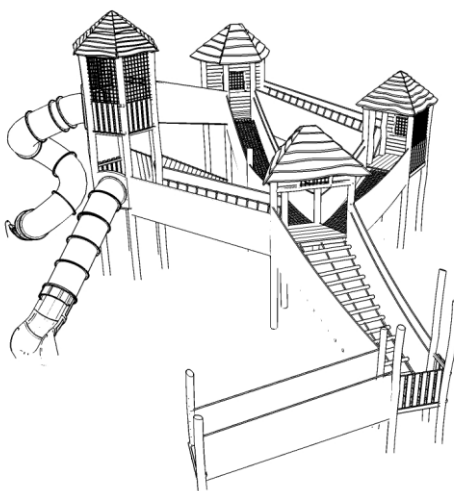
EN 1176-1 : 2008



Grass or compacted gravel  
area - 181m<sup>2</sup>



- material: wood: robinia/oak
- PP ropes nets of diam. 16mm with steel
- Plastic tube slide and slide
- Protective nets
- galvanized welded wire mesh
- Rope



ILUSTRACNÍ VIZUALIZACE

**HŘIŠTĚ HROU s.r.o.**

Hřiště hrou s.r.o.  
Sobotecká 810, Turnov 511 01, Česká republika  
www.hristehrou.cz ; info@hristehrou.cz  
tel.: +420 733 141 242 ; IČ 036 73 073