

2019

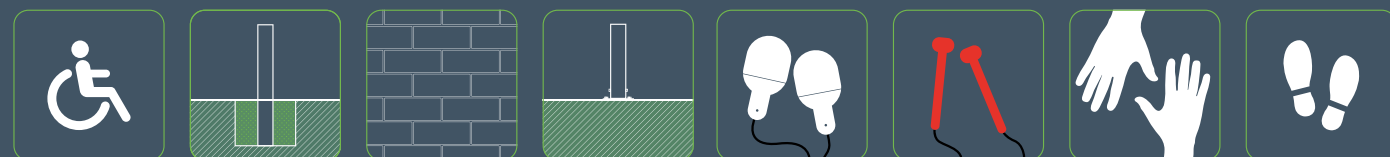


# Contents

<b>Our Story</b>	Music Made for the Great Outdoors	Page 4
	Knowledge Base	Page 5
	Schools & Nurseries	Page 6
	Special Needs	Page 7
	Elderly Care & Hospitals	Page 8
	Parks & Trails	Page 9
<b>Drums</b>	Babel Drums	Page 10-11
	Cajón	Page 12-13
	Congas	Page 14-15
	Djembes	Page 16-17
	Rainbow Sambas	Page 18-19
	Tumbadoras	Page 20-21
<b>Floor Pianos</b>	Baby	Page 22-23
	Grand	Page 22-23
<b>Xylophones</b>	Cadenza	Page 24-25
	Capella	Page 26-27
	Cavatina	Page 28-29
	Music Book	Page 30-31
	Duo	Page 32-33
	Sansa-Rimba	Page 34-35
<b>Chimes &amp; Bells</b>	Bell Lyre	Page 36-37
	Cherub	Page 38-39
	Colossus Chimes	Page 40-41
	Emperor Chimes	Page 42-43
	Freechimes	Page 44-47
	Harmony	Page 48-49
	Mirror Chimes	Page 50-51
	My Tunes	Page 52-53
	Papilio Bells	Page 54-55
	Sonora	Page 56-57
Tubular Bells	Page 58-59	
Tutti	Page 60-61	
<b>Marimbas</b>	Akadinda	Page 62-63
	Grand Marimba	Page 64-65
	Marimba	Page 66-67
	Wall Marimba	Page 68-69
<b>Aerophones</b>	Tembos	Page 70-71
	Handpipes	Page 72-73
<b>Ensembles</b>	Trio Ensemble	Page 74-75
	Soprano Quartet Ensemble	Page 76-77
	Alto Quartet Ensemble	Page 78-79
	Quintet Ensemble	Page 80-81
	Street Quartet	Page 82-83



## Key



Wheelchair Accessible

Suitable for concreting into the ground

Suitable for wall fixing

Suitable for surface fixing

Tethered paddles supplied

Tethered mallets supplied

Played with hands

Played with feet



# Music Made for the Great Outdoors



*“ It was like Christmas here the other day as we excitedly tore open boxes. The Sonora came out amazing. It’s stunning!*

*Everything was packed and shipped perfectly! Thank you for all you have done! Truly beautiful!”*

*Cape Cod Children’s museum*

There is something special about music that crosses barriers and encourages closeness regardless of age, race, religion and background. Add in the therapeutic environment of nature and the great outdoors, and there are few things more enjoyable than musical play.

It is this sentiment, combined with over 20 years’ experience in the play industry that sits at the heart of Percussion Play. We strongly believe that outdoor musical instruments tick all the boxes, offering cognitive, emotional and physical play opportunities for everyone, everywhere.

Our instruments are easy to play for all ages and abilities and are either pentatonically tuned (for easy improvisation with no clashing notes), or diatonically tuned (so that the user can play familiar or favourite tunes as well as improvising or composing their own).

All of our instruments are handmade at our workshop in Hampshire, UK before travelling to play areas across the world. We take real pride in every piece we produce, creating durable instruments that are designed to stand the test of time and bring joy to all who play them.

Whether your outdoor area (or budget) is large or small we are sure you will find a suitable and exciting outdoor music solution within these pages.

# Knowledge Base

Our online knowledge base is designed to help you find the information you need to create the perfect music park. It is full of relevant and compelling content such as:

- Case studies and testimonials from around the world.
- Free white papers on a multitude of music, play and health related topics.
- Best practice advice including guides to creating a sensory garden or outdoor music trail or playground.
- Our app containing videos of our instruments, data sheets and product-specific installation instructions.

Visit [www.percussionplay.com/knowledge-base](http://www.percussionplay.com/knowledge-base) for more and follow our social media for latest news, product innovations and events.

## Installation

We realise that installing your own instruments may seem a little intimidating but as well as being easy to play, our instruments are designed to be easy to install.

We assemble each product as far as possible before shipping and send clear, easy to follow installation instructions for each instrument.



# Schools & Nurseries



Outdoor musical instruments present schools and nurseries with an excellent way of incorporating outdoor education into the day-to-day curriculum. They make creative, all-inclusive and accessible playground equipment and fantastic music education resources.

Children love the fact that music can be used in a context outside of the classroom and their clever design and use of the pentatonic scale, makes them so easy to play that children are able to develop musical skills without having to manage any technical demands of traditional instruments, instantly showing what can be expressed and achieved through music.

Locating our instruments in the school playground, outdoor performance area or perhaps a sensory garden where children can explore, create and develop their own musical ideas and sounds whilst enjoying the fresh air and sunshine, will maximise the musical potential of a child during their most rapid developmental period while they happily discover the joy and empowerment of music making.

*“ Wanted to let you know that we LOVE our new musical instruments. They sound amazing !!!”*

*Barrets Elementary School*

# Special Needs

Music can have a profound effect on anyone, but the benefits of exposing a child or adult with special needs to music can be huge.

Simple to play, our outdoor musical instruments enable creative experimentation and tactile exploration, they encourage the use of motor skills, help develop coordination and stimulate the imagination. For children with very limited movement, the placing of their hands on the vibrating lids of our drums or along the Emperor Chimes, can elicit a positive response. Playing music may be an effective way to stimulate speech development and communication skills, express emotions and provide opportunities for physical, cognitive and motor development whilst creating an environment for socialisation and fun.

Ideal for use during both music and occupational therapy sessions with their harmonic pentatonic scales and accessibility, children who experience physical or emotional obstacles in their lives can achieve security and joy in making music outdoors.



*“ We’re very happy! Staff working with pupils with more complex physical needs have reported that the instruments are great motivators during physio and OT work. ”*

*Medina House, Community Special School*



# Elderly Care & Hospitals



Nature and music are intimately connected and combining the therapeutic effects of being outdoors, along with the healing energy of music, can help to fuel the senses and become a welcome addition to the daily routine for seniors living in a care environment.

Our instruments provide opportunities for music making for all adults regardless of musical experience and active music-making can be such a rewarding experience.

Playing music together is a way of communicating and music helps to enhance sociability and create opportunities to forge and retain relationships, as well as offering a way to connect across generational barriers. Intergenerational music making with family members, other residents, visitors or carers, encourages interaction between all ages.

Music for the young and young at heart!

*“ The musical instruments are a great success! They have encouraged the residents outside, to take longer walks, laugh, talk and socialise. ”*

*Aldersro Elder Centre, Director*

# Parks & Trails

Outdoor musical instruments are perfect for parks, trails and recreation areas. Fully inclusive, accessible and multi-generational, our instruments make music-making possible for would be musicians of any age or ability.

Constructed of durable, easily cared-for materials, the instruments are low maintenance and require no safer surfacing. Whether in a small town or mega - city, they make original, unusual additions to any number of public outdoor spaces.

Our case studies, white papers and testimonials all confirm the benefits that music can bring to a community and how outdoor musical instruments in a park or open space provide opportunities to access music-making to people who may not otherwise be able to.

Musical instruments in outdoor community spaces engage people of all ages, cultures, and ability. Music-making in the great outdoors brings people together in a way that few other activities can.



*“ Everyone is impressed with the instruments, their build quality and sound. ”*

*Conner Prairie Interactive History Park, Indiana*



# Babel Drums

Small - C Major Pentatonic - C4-C5  
 Large - G Major Pentatonic - G3-B4

Babel Drums are circular stainless-steel tongue drums fixed for permanent outdoor installation.

Available in two sizes, the small Babel Drum is the higher-pitched of the two with six notes producing a warm, resonant sound. The large has an eight-note layout producing desirable tones with remarkably long sustain.

Both Babel Drums offer a unique hand-drumming experience. No previous drumming experience is required to play a Babel Drum and both children and adults will enjoy improvising with the mesmerising sounds they produce. The mellow tones are never brassy or too loud - perfect for musical exploration in the fresh air.

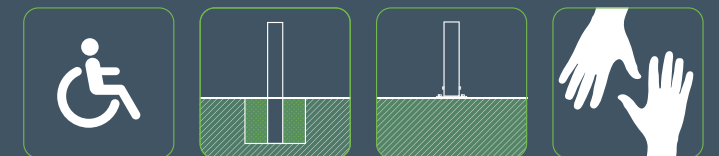


## Specification

**Small Babel**  
 Weight - 13 kg    29 lbs  
 Width - 40 cm    16 in  
 Height - 82 cm    32 in

**Large Babel**  
 Weight - 17 kg    37 lbs  
 Width - 51 cm    20 in  
 Height - 108 cm    43 in

## Features







Untuned Percussion

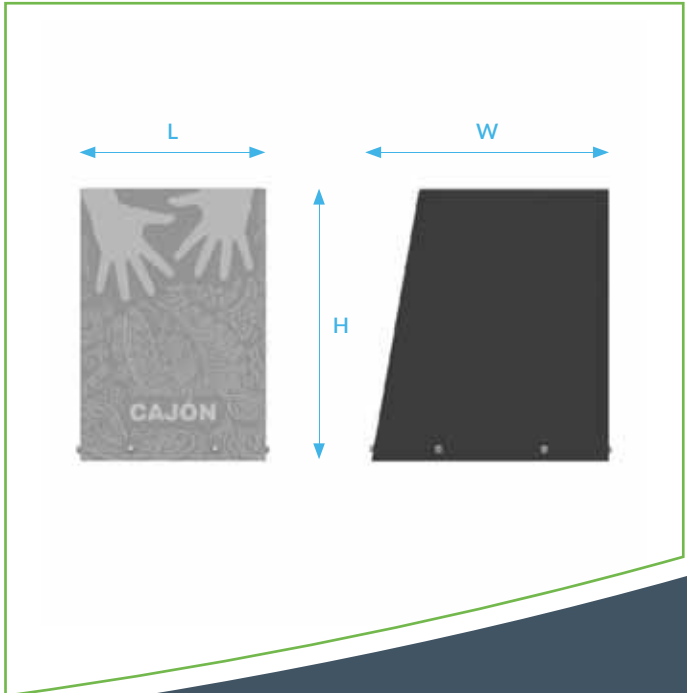
# Cajón



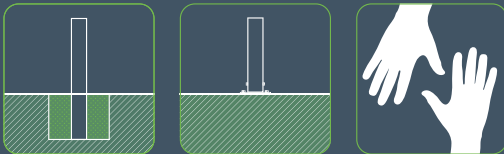
Cajóns are perfect for outdoor performances. Durable, responsive and easy to play they have an in-built snare at the top and a low bass sound around the middle suitable for many different styles of music.

Inspired by the traditional Cuban and Peruvian Cajón drums, our version has a resonating box made from stainless steel making them ideal for year-round outdoor use.

They are attractive, sturdy and can double up as a seating solution; several Cajóns together form the perfect drum circle.



## Features



## Specification

<b>Weight</b>	- 14 kg	<b>31 lbs</b>
<b>Length</b>	- 28 cm	<b>11 in</b>
<b>Width</b>	- 36 cm	<b>14 in</b>
<b>Height</b>	- 41 cm	<b>16 in</b>

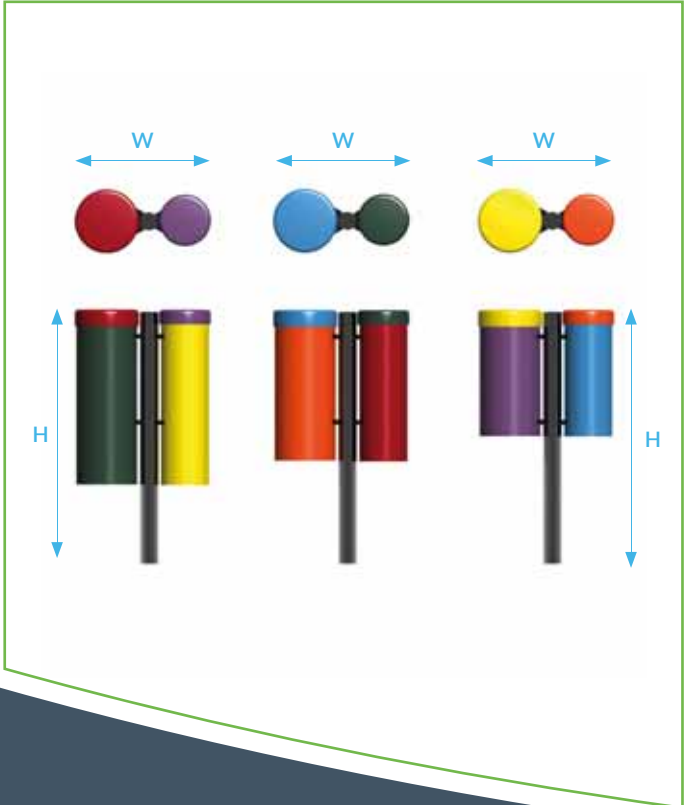


# Congas

Untuned Percussion

We've taken the traditional African conga drum and added our own twist to bring their deep, soft sound to the great outdoors.

Mounted onto a stainless-steel post these colorful drums sound as good as they look. Our Congas are available as individual pairings or as a trio of pairs.



Small Congas



Large Congas

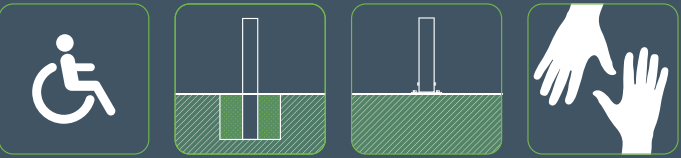


Medium Congas

## Specification

<b>Weight</b>	- 10-13 kg	<b>22-29 lbs</b>
<b>Width</b>	- 56 cm	<b>22 in</b>
<b>Min Height</b>	- 60 cm	<b>24 in</b>
<b>Max Height</b>	- 80 cm	<b>32 in</b>

## Features







Untuned Percussion

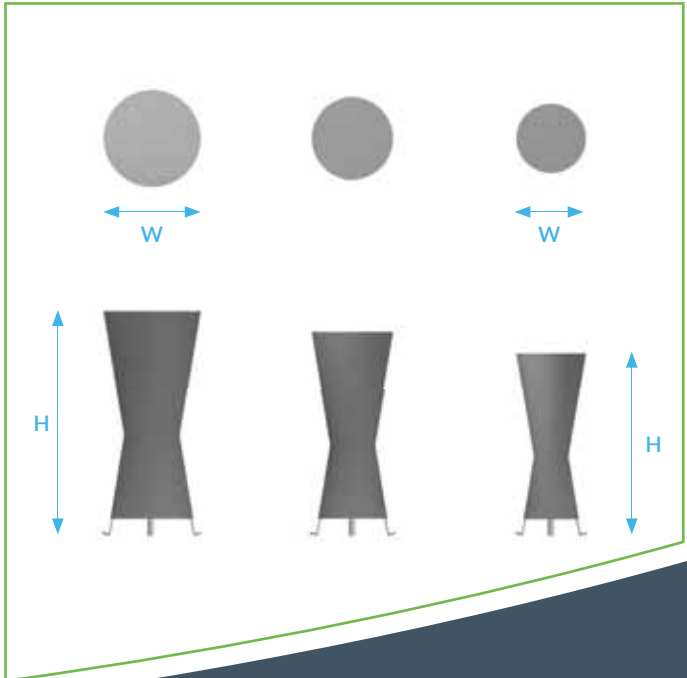
# Djembes



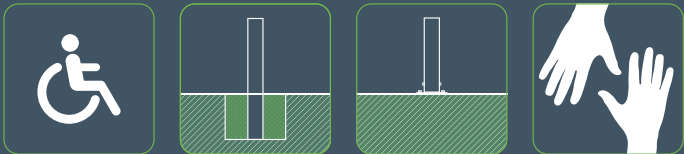
With their distinctive goblet shape, Djembes make a wonderful addition to a music park, trail or urban space.

The large head size allows multiple beats from low to high with players able to create unique and versatile sounds by hitting or slapping the different areas of Djembe's 'head' with their hands.

The stainless-steel body makes this a smart choice for urban environments delivering high-class performance and featuring robust construction for enhanced durability.



## Features



## Specification

<b>Weight</b>	- 30 kg	<b>66 lbs</b>
<b>Width</b>	- 25-35 cm	<b>10-14 in</b>
<b>Min Height</b>	- 60 cm	<b>24 in</b>
<b>Max Height</b>	- 75 cm	<b>30 in</b>

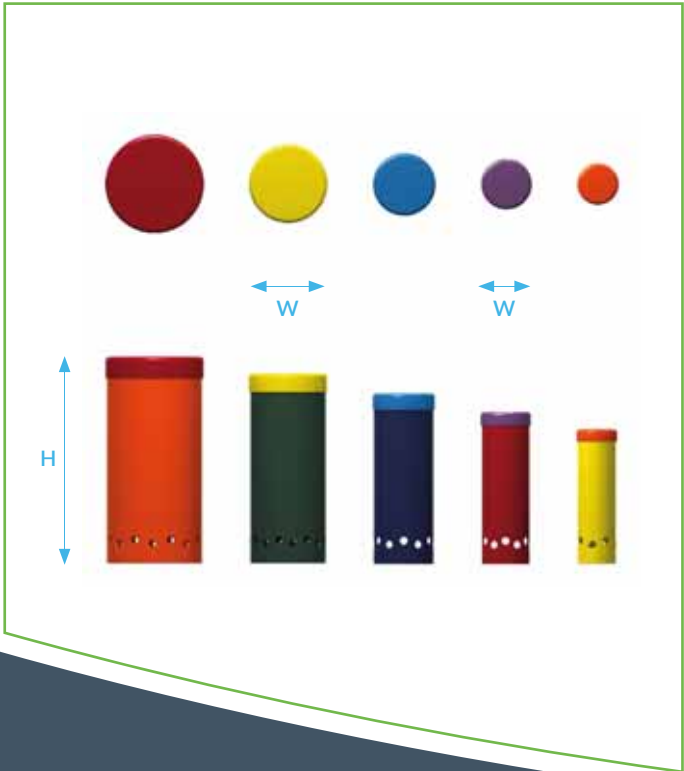


# Rainbow Sambas

Untuned Percussion

This eye-catching set of five outdoor drums is one of our most popular products. Fun and easy to play, the Rainbow Sambas will shape a love of music, beat and rhythm. Played with just your hands, soft yet satisfying sounds can be made whatever your age.

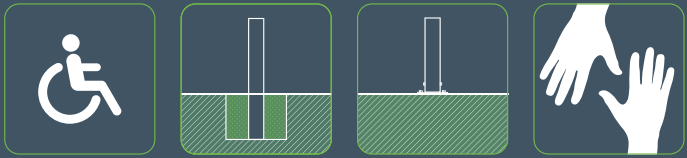
The unique tones produced make Sambas perfect outdoor play equipment that are also well suited to music lessons, outdoor school performances, drumming and music therapy sessions. Our Sambas are available in our standard rainbow colors.



## Specification

<b>Weight</b>	- 44 kg	<b>97 lbs</b>
<b>Width</b>	- 16 - 40 cm	<b>6 - 16 in</b>
<b>Min Height</b>	- 55 cm	<b>23 in</b>
<b>Max Height</b>	- 85 cm	<b>34 in</b>

## Features







Untuned Percussion

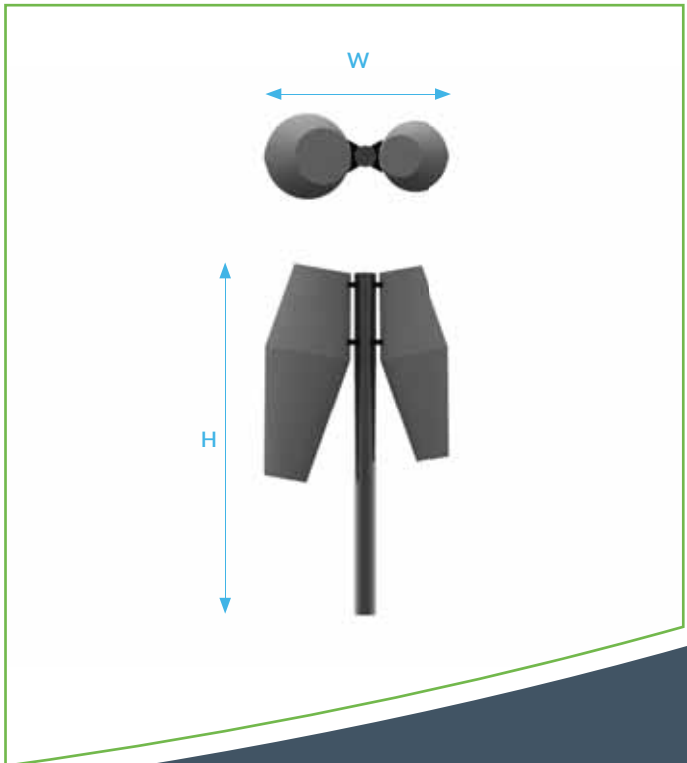
# Tumbadoras



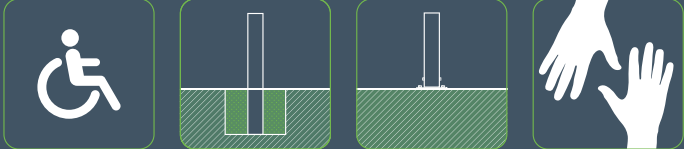
Made from stainless steel for a contemporary look and awesome sound Tumbadora makes a great choice for any number of outdoor settings.

A set includes a pair of tumba drums mounted on a single stand, so you can have a comfortable playing experience that is both fun and easy.

Practice your skills on these and they will deliver marvellous bass notes with deep resonance and high-pitched cutting slap sounds.



## Features



## Specification

<b>Weight</b>	- 21 kg	<b>47 lbs</b>
<b>Width</b>	- 63 cm	<b>25 in</b>
<b>Height</b>	- 85 cm	<b>34 in</b>



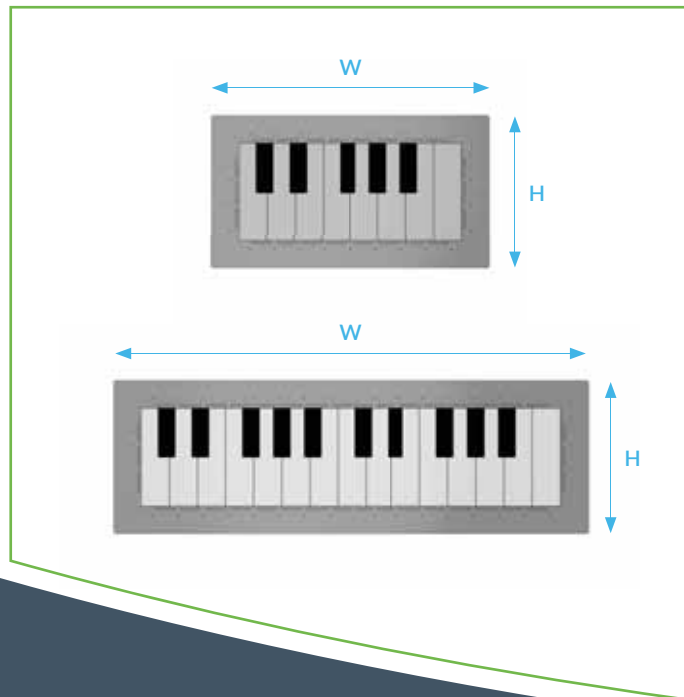
# Floor Piano

Baby: C5-C6 Chromatic  
Grand: C5-C7 Chromatic

We are proud to introduce our first fully chromatic mechanical floor piano, whose sub-surface bells create clear and distinctive chimes on impact.

Available as a thirteen or twenty-five note instrument, it is sure to bring a smile to your face - especially if you've seen the Tom Hanks movie 'Big'!

Our Floor Piano is constructed from stainless steel and aluminum and is designed to be installed completely level with the ground for safety and easy use in schools, parks and other public spaces. The Floor Piano is engineered to suit all environments.



## Specification

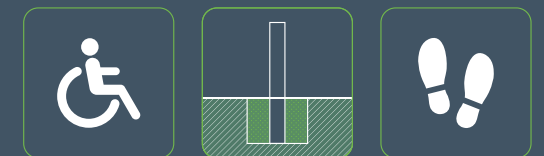
### Baby Piano

Weight	- 330 kg	<b>725 lbs</b>
Length	- 200 cm	<b>79 in</b>
Width	- 110 cm	<b>43 in</b>
Depth	- 16 cm	<b>6 in</b>

### Grand Piano

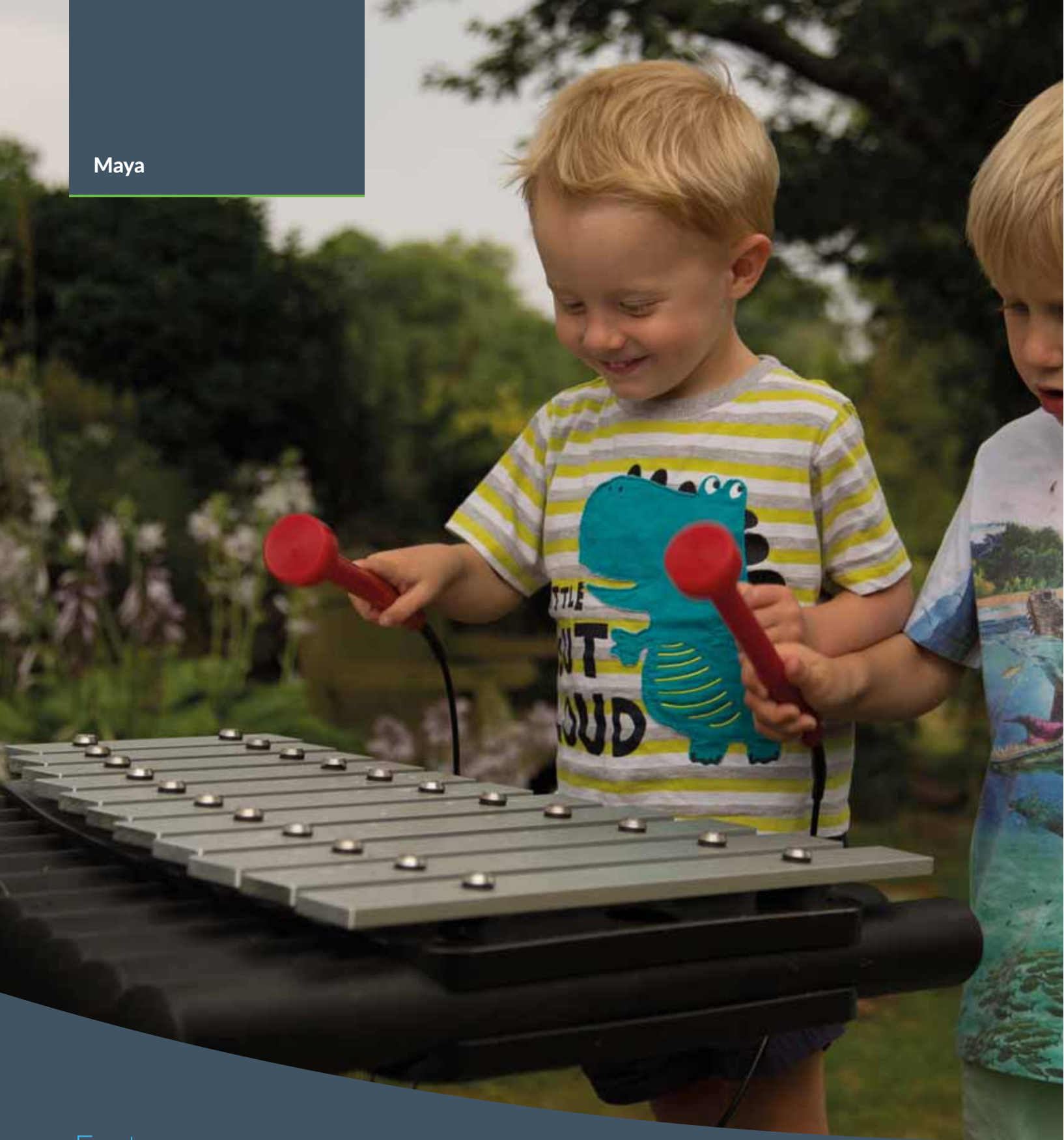
Weight	- 660 kg	<b>1500 lbs</b>
Length	- 340 cm	<b>134 in</b>
Width	- 110 cm	<b>43 in</b>
Depth	- 16 cm	<b>6 in</b>

## Features





Maya



# Cadenza

C Major Pentatonic - C4-C6



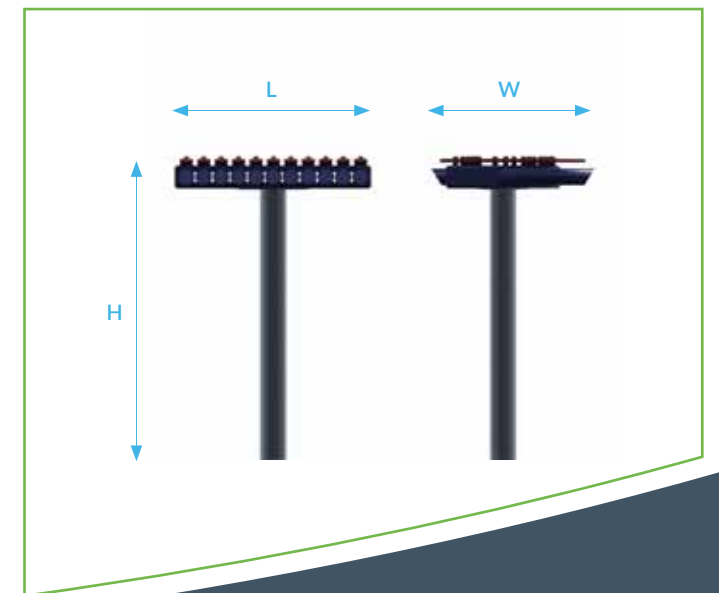
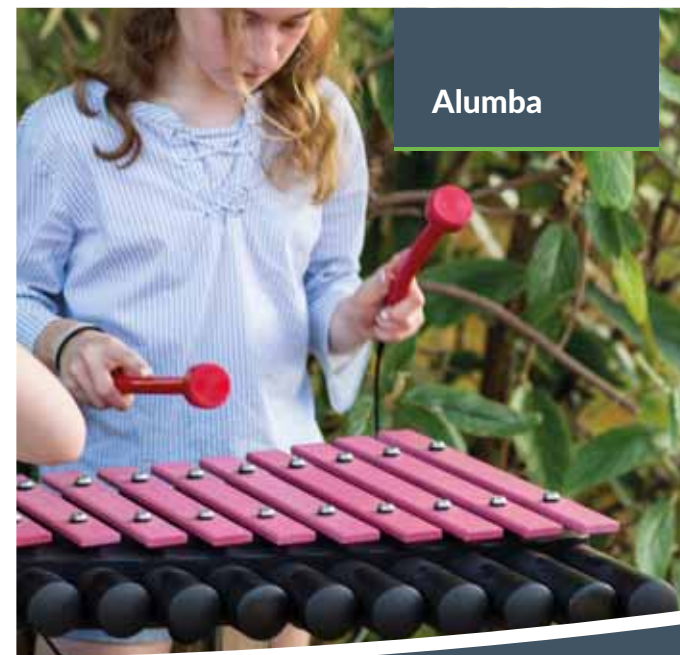
Our Cadenza is a small yet captivating instrument with a curved design and arranged as a traditional xylophone. Perfect for exploring possibilities with melody, harmony and rhythm.

The Cadenza can be adapted to any outdoor setting. It can be ground or surface installed or in cases where space is limited, it can be wall mounted.

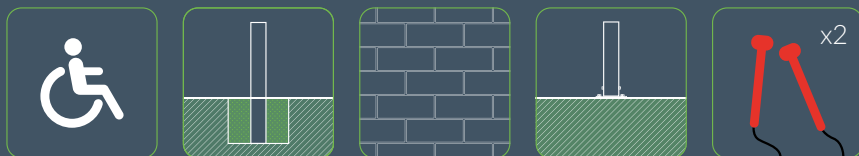
Aluminum notes - Maya

GRP notes - Alumba

Also available with aluminum resonators between heavy-duty HDPE sheets (only in black). Recommended for public and high use areas.



## Features



## Specification

<b>Weight</b>	- 11 kg	<b>24 lbs</b>
<b>Width</b>	- 55 cm	<b>21 in</b>
<b>Min Height</b>	- 57 cm	<b>22 in</b>
<b>Max Height</b>	- 85 cm	<b>34 in</b>



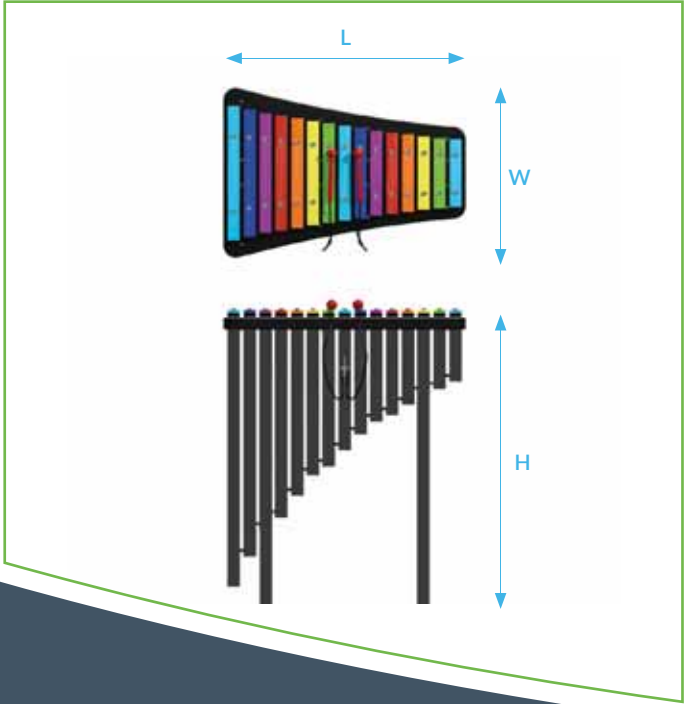
# Capella

C Major Diatonic - C4-C6

Our Capella Diatonic Xylophone has 15 Rainbow Colored Notes and its diatonic arrangement allows players to play lots of familiar songs or compose their own.

The vibrantly colored anodized notes are set to our rainbow scale and can be combined with one of our Music Books for players to simply follow the colored notes to play a well-known song.

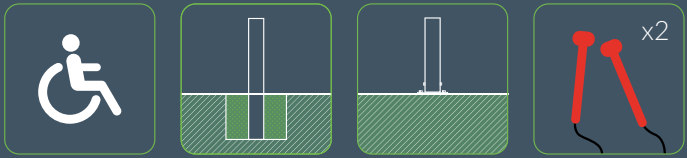
Set on an HDPE mounting, the stainless-steel resonators will deliver a bright, rounded sound.



## Specification

<b>Weight</b>	- 30 kg	<b>66 lbs</b>
<b>Length</b>	- 76 cm	<b>30 in</b>
<b>Width</b>	- 54 cm	<b>21 in</b>
<b>Height</b>	- 95 cm	<b>37 in</b>

## Features







C Major Diatonic - C4-C6

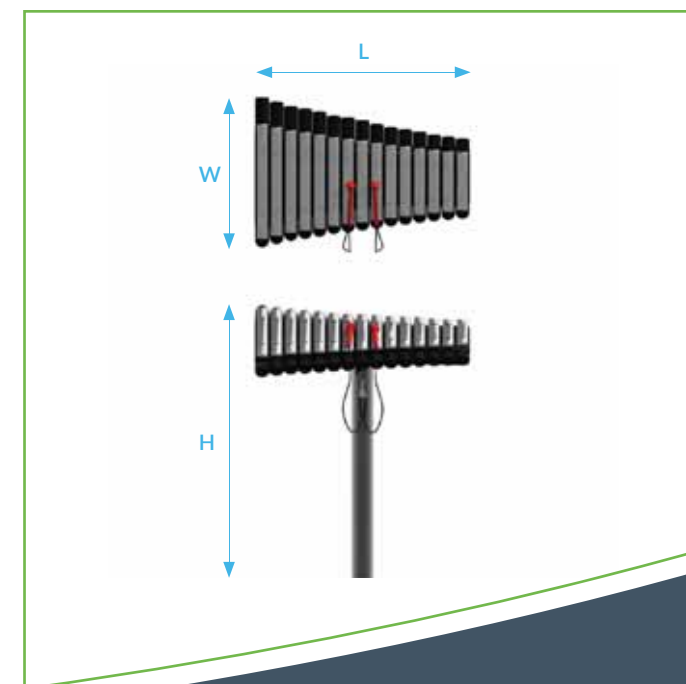
# Cavatina



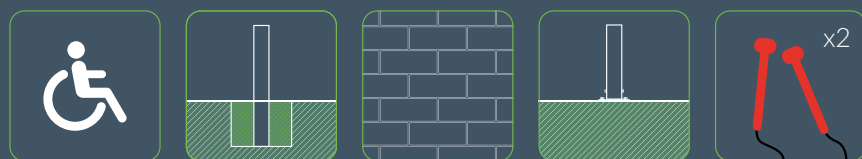
Our Cavatina is a most appealing instrument both in the way it looks and by the beautiful sounds it offers. Diatonically tuned, it's versatility provides a vast range of expression suited to beginners and experienced musicians alike, performing in even the most challenging outdoor environments.

The rainbow-colored anodized aluminum notes are perfect for those learning music with a rainbow color coded scale.

Also available with aluminum resonators between heavy-duty HDPE sheets (only in black). Recommended for public and high use areas.



## Features



## Specification

<b>Weight</b>	- 30 kg	<b>66 lbs</b>
<b>Length</b>	- 75 cm	<b>30 in</b>
<b>Width</b>	- 55 cm	<b>22 in</b>
<b>Height</b>	- 84 cm	<b>33 in</b>

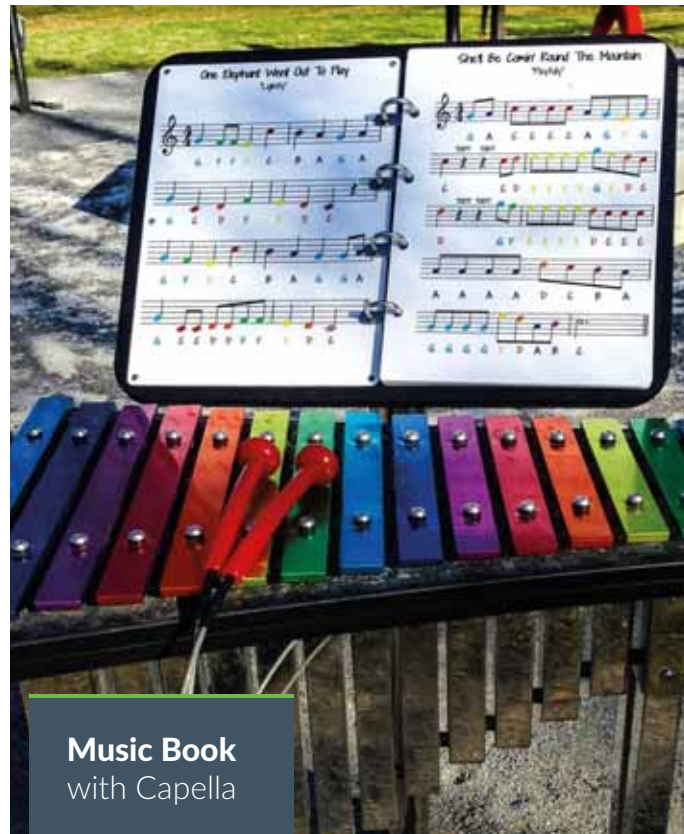


# Music Book

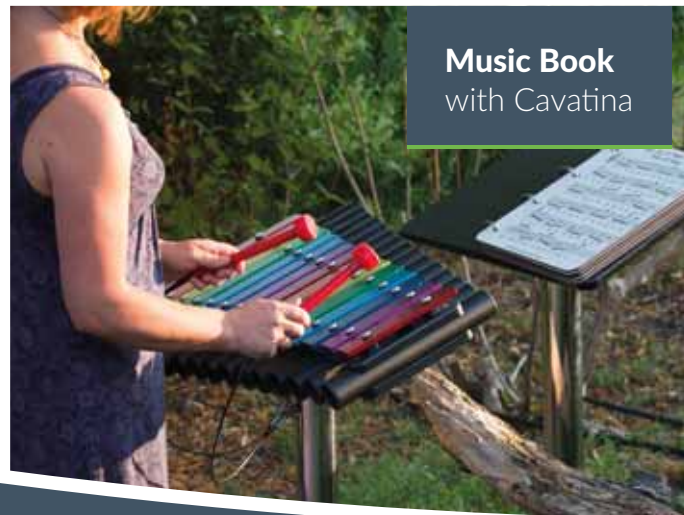
The Music Book is designed to accompany the Cavatina or Capella using our Rainbow Scale and is a permanent installation.

Each note on the Capella and Cavatina is anodized to a brilliant, bright color that coordinates with the music sheets. The player simply follows along with the colors to play a well-known song.

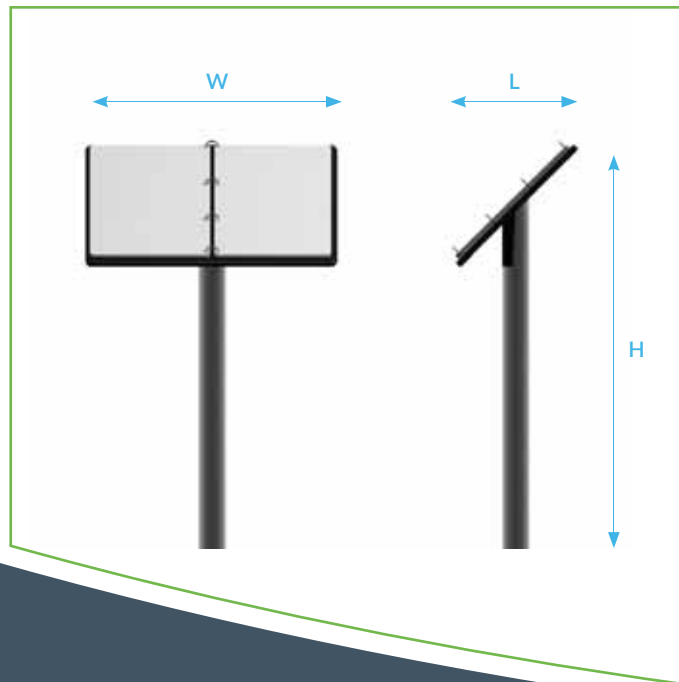
The Music Book offers a variety of different tunes and is available with two music sheets (four songs) or four music sheets (eight songs). It also provides an excellent introduction to learning to read music.



Music Book with Capella



Music Book with Cavatina

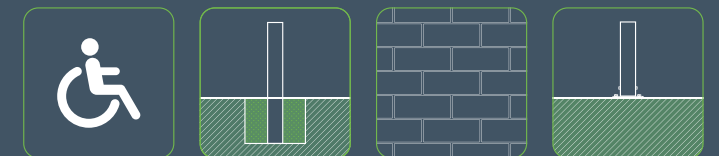


## Specification

<b>Weight</b>	- 19 kg	<b>42 lbs</b>
<b>Length</b>	- 36 cm	<b>28 in</b>
<b>Width</b>	- 70 cm	<b>34 in</b>
<b>Max Height</b>	- 130 cm	<b>61 in</b>



## Features







# Duo

C Major Pentatonic - C4-C6



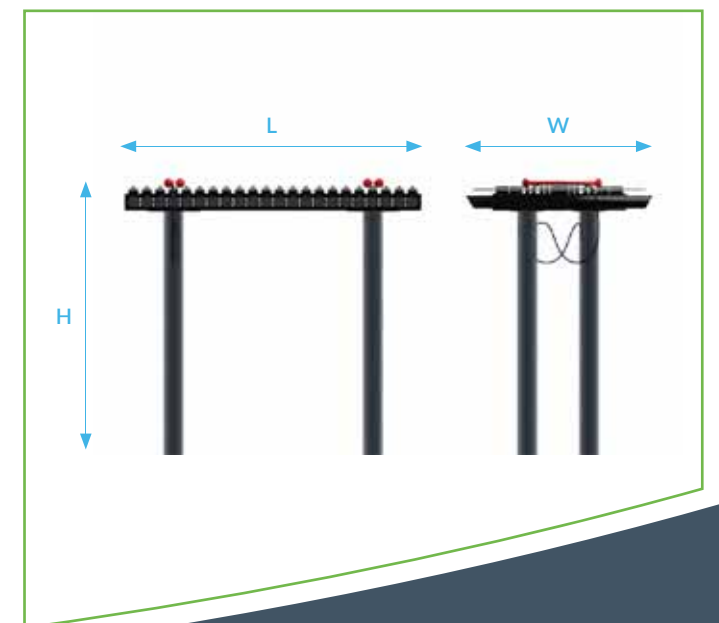
Designed originally to benefit people with autism, the easily accessible Duo allows you to play an instrument with someone else while remaining in your personal space and without the added pressure of making eye contact. The Duo is distinctive and unique as it encourages social interaction and self-expression while being an inviting focal point in any outdoor setting.

Aluminum notes - Jumeau

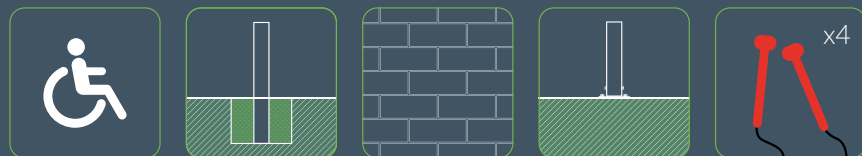
GRP notes - Gemina

Aluminum & GRP - Cupla

Also available with aluminum resonators between heavy-duty HDPE sheets (only in black). Recommended for public and high use areas.



## Features



## Specification

Weight	- 26 kg	57 lbs
Length	- 110 cm	43 in
Width	- 85 cm	34 in
Max Height	- 85 cm	34 in



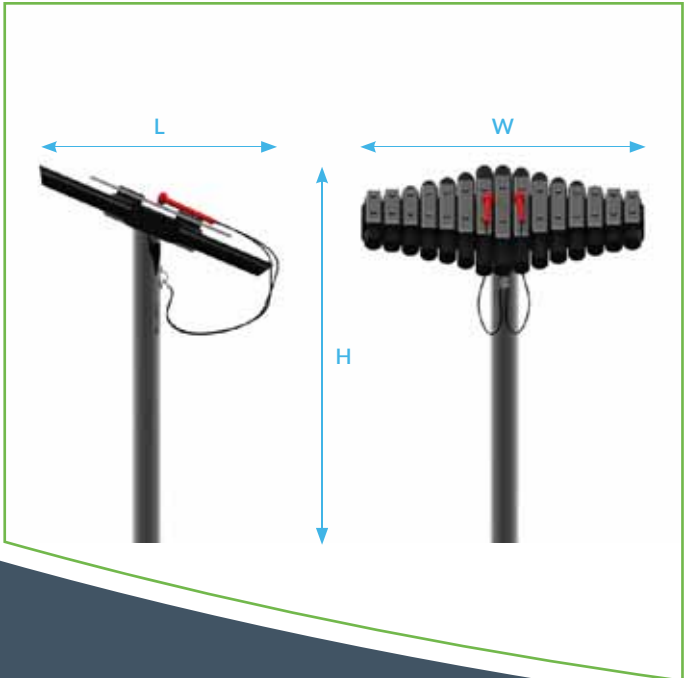
# Sansa-Rimba

C Major Diatonic - C4-C6

Sansa-Rimba is a clever blend of two African instruments; the Sansa (thumb-piano) and a Marimba (xylophone) with its 15 notes ascending from the centre outwards.

Just as fitting in a school playground or music trail as it would be nestled in a care home garden, this compact instrument is easy to play and a perfect introduction to musical exploration and improvisation.

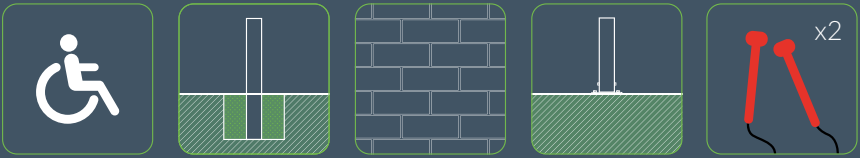
Also available with aluminum resonators between heavy-duty HDPE sheets (only in black). Recommended for public and high use areas.



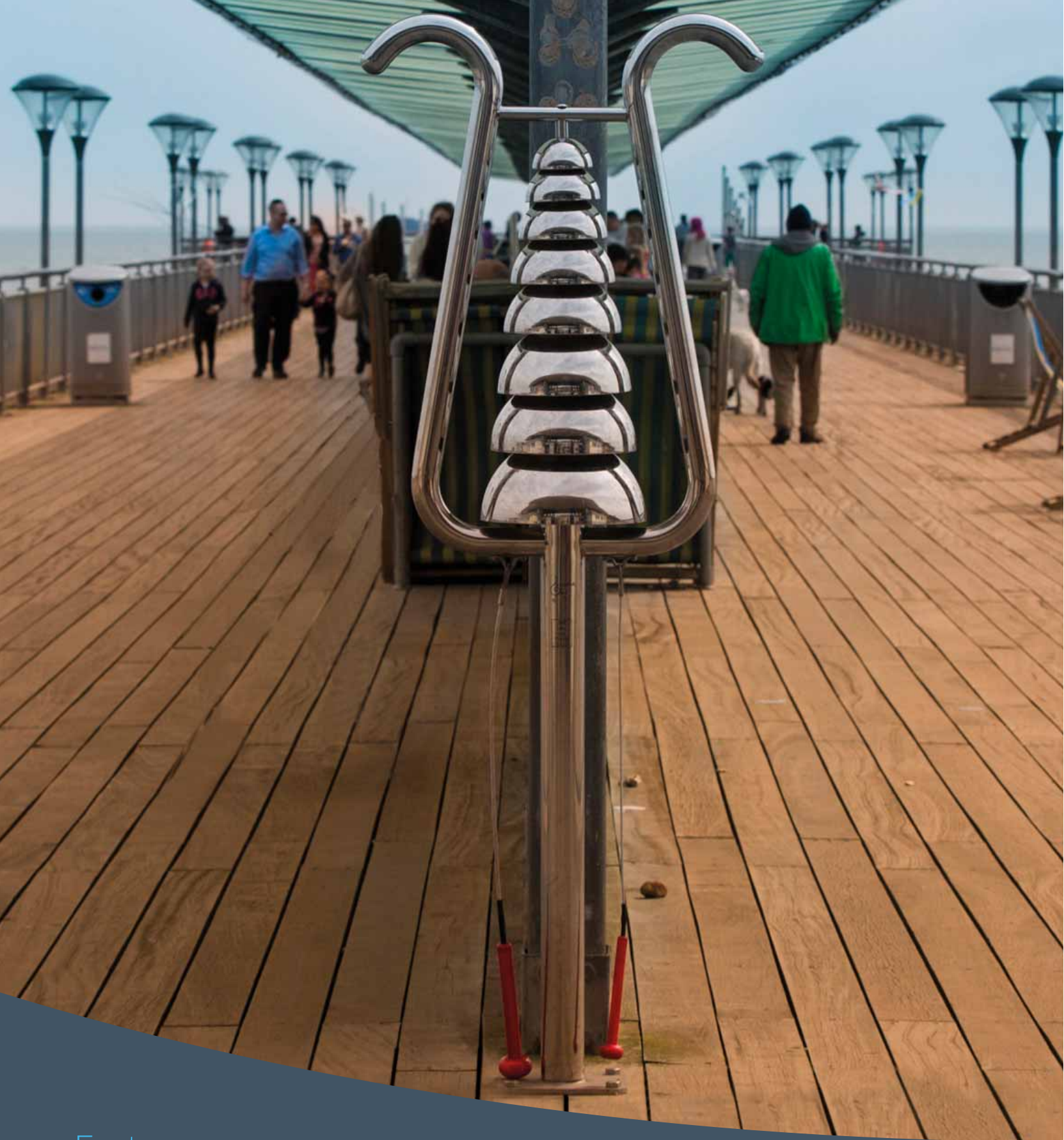
## Specification

<b>Weight</b>	- 12 kg	<b>26 lbs</b>
<b>Length</b>	- 55 cm	<b>21 in</b>
<b>Width</b>	- 57 cm	<b>22 in</b>
<b>Max Height</b>	- 85 cm	<b>34 in</b>

## Features







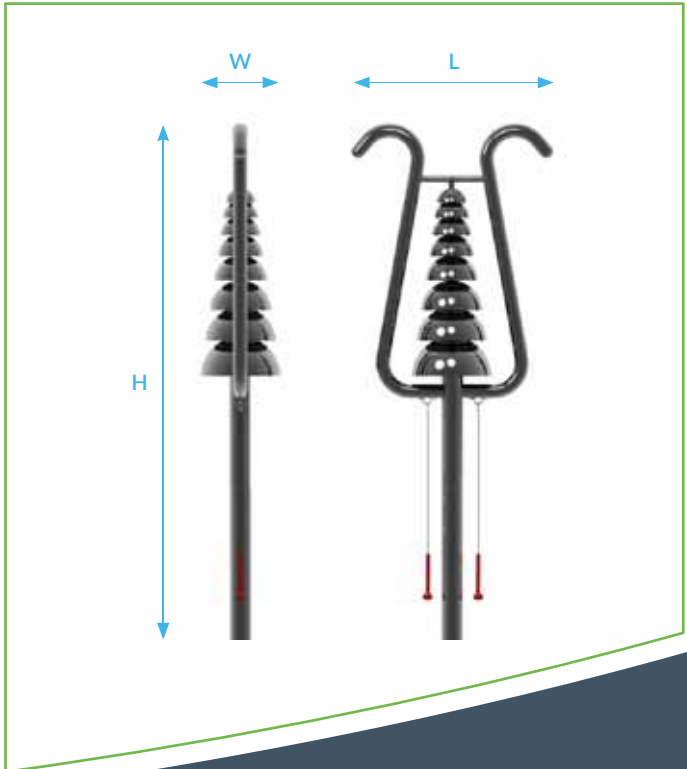
# Bell Lyre



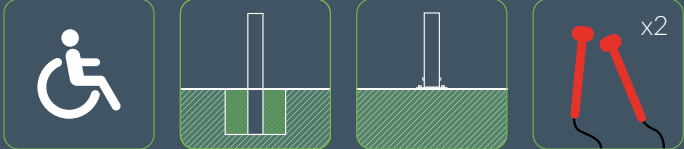
Our Bell Lyre is made of 8 graduated stainless-steel bells presented within a beautiful contemporary stand reminiscent of a lyre.

Easy to play for all ages and abilities, the bells 'sing' when struck with the attached pair of beaters.

With an easy single post installation, the Bell Lyre is a low maintenance calming addition to any outdoor setting and a charming statement piece.



## Features



## Specification

<b>Weight</b>	- 19 kg	<b>42 lbs</b>
<b>Width</b>	- 73 cm	<b>29 in</b>
<b>Min Height</b>	- 29 cm	<b>12 in</b>
<b>Max Height</b>	- 153 cm	<b>60 in</b>



# Cherub

C Major Pentatonic - C4-C6

The Cherub's 11 tubular bells are made from hand tuned, heavy duty anodized aluminum and produce a clear, bright sustaining tone when struck.

The Cherub can be wall mounted or affixed to posts for easy installation.

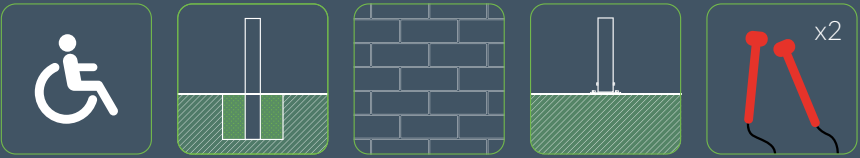
Also available with aluminum resonators between heavy-duty HDPE sheets (only in black). Recommended for public and high use areas.



## Specification

<b>Weight</b>	- 15 kg	<b>33 lbs</b>
<b>Length</b>	- 70 cm	<b>28 in</b>
<b>Width</b>	- 12 cm	<b>5 in</b>
<b>Max Height</b>	- 180 cm	<b>71 in</b>

## Features





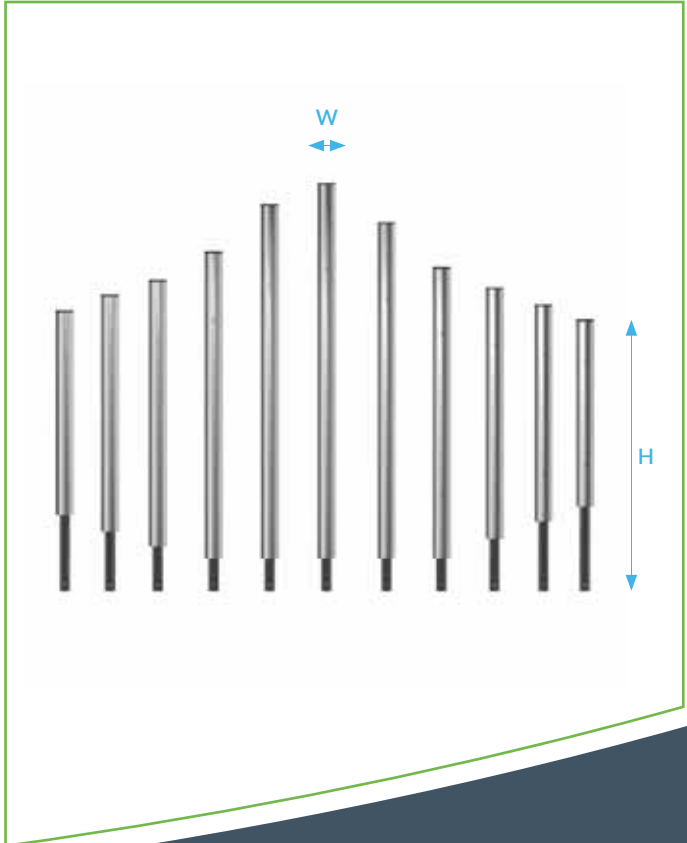


C Major Pentatonic - C3-C5

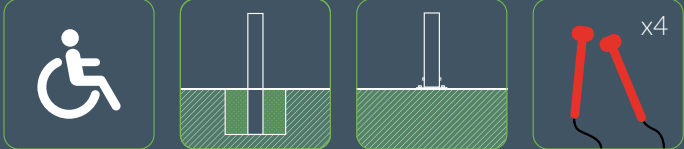
# Colossus Chimes

Colossus Chimes are a supreme set of outdoor musical chimes for all ages to enjoy.

Encompassing the full pitch range of our Tubular Bells and Emperor Chimes. This all-encompassing sound sculpture delivers a heightened musical experience that you can feel as well as hear as the chimes vibrate and resonate long after you strike them with the mallets.



## Features



## Specification

<b>Weight</b>	- 134 kg	<b>295 lbs</b>
<b>Width</b>	- 10 cm	<b>4 in</b>
<b>Min Height</b>	- 156 cm	<b>61 in</b>
<b>Max Height</b>	- 235 cm	<b>93 in</b>



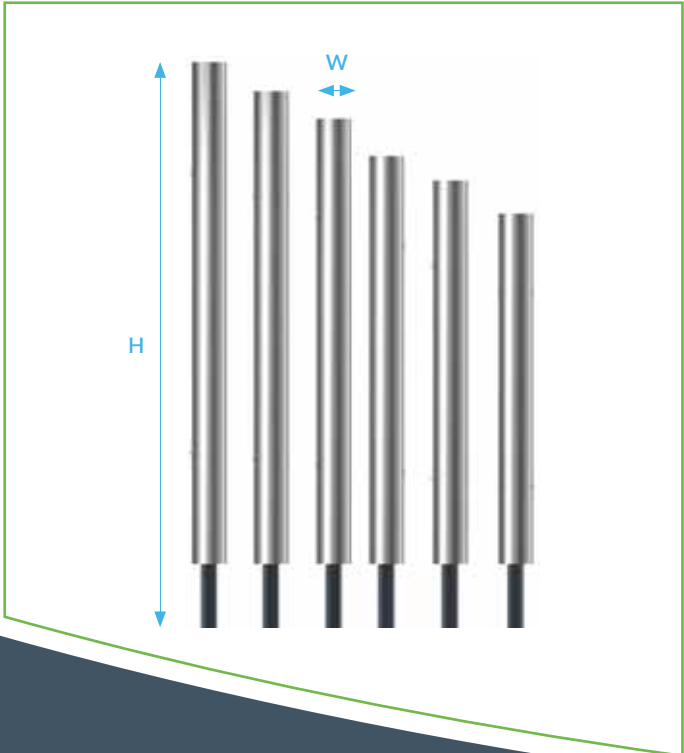
# Emperor Chimes

C Major Pentatonic - C3-C4  
 C Major Triad - C3, E3, G3

Emperor Chimes are the ultimate in outdoor musical chimes. They should be played gently with fingertips or the palms of the hand.

With the largest chime standing over 2.5m (8ft) in height, these chimes are available in a full pentatonic set of six or in a harmonic group of three.

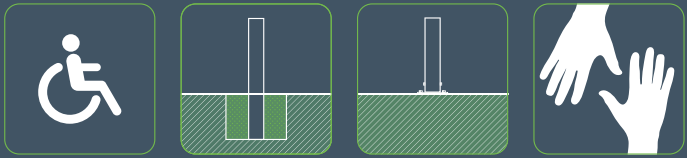
Because they are played by hand, they produce soft, velvety rich tones with an excellent sustain.



## Specification

<b>Weight</b>	- 117 kg	<b>258 lbs</b>
<b>Width</b>	- 13 cm	<b>5 in</b>
<b>Min Height</b>	- 179 cm	<b>70 in</b>
<b>Max Height</b>	- 249 cm	<b>98 in</b>

## Features





Alto Diatonic



C Major Diatonic - C3-C6

# Freechimes (Diatonic)



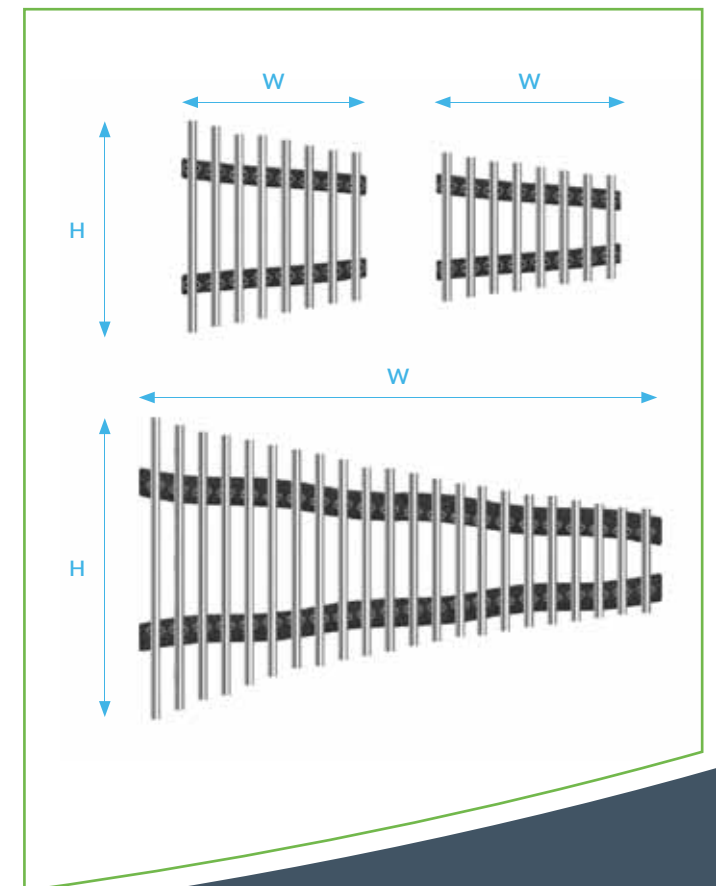
Soprano Diatonic

Freechimes are practical, durable and stylish with a beautiful melody and sustain that will liven up any outdoor area.

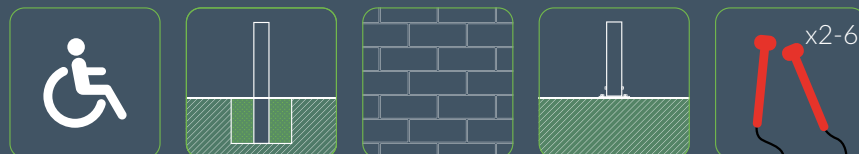
Available individually as solo chimes, in pre-set arrangements or as a full symphony, Freechimes have an outstanding resistance to vandalism and all weather conditions making them the perfect addition to an outdoor classroom or music trail.



Diatonic Symphony



## Features



## Specification

### Soprano Diatonic

<b>Weight</b>	- 10 kg	<b>22 lbs</b>
<b>Length</b>	- 76 cm	<b>30 in</b>
<b>Width</b>	- 93 cm	<b>37 in</b>

### Alto Diatonic

<b>Weight</b>	- 12 kg	<b>26 lbs</b>
<b>Length</b>	- 108 cm	<b>42 in</b>
<b>Width</b>	- 80 cm	<b>32 in</b>

### Diatonic Symphony

<b>Weight</b>	- 30 kg	<b>66 lbs</b>
<b>Length</b>	- 153 cm	<b>60 in</b>
<b>Width</b>	- 264 cm	<b>104 in</b>

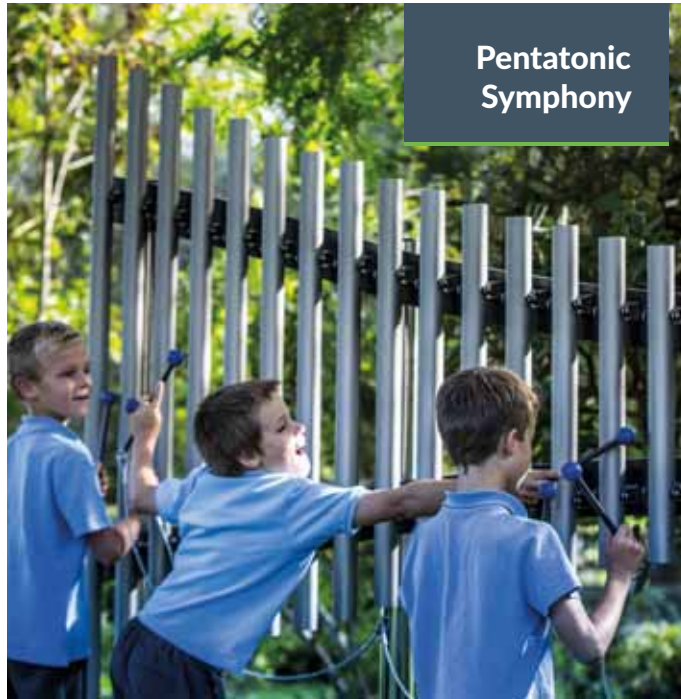
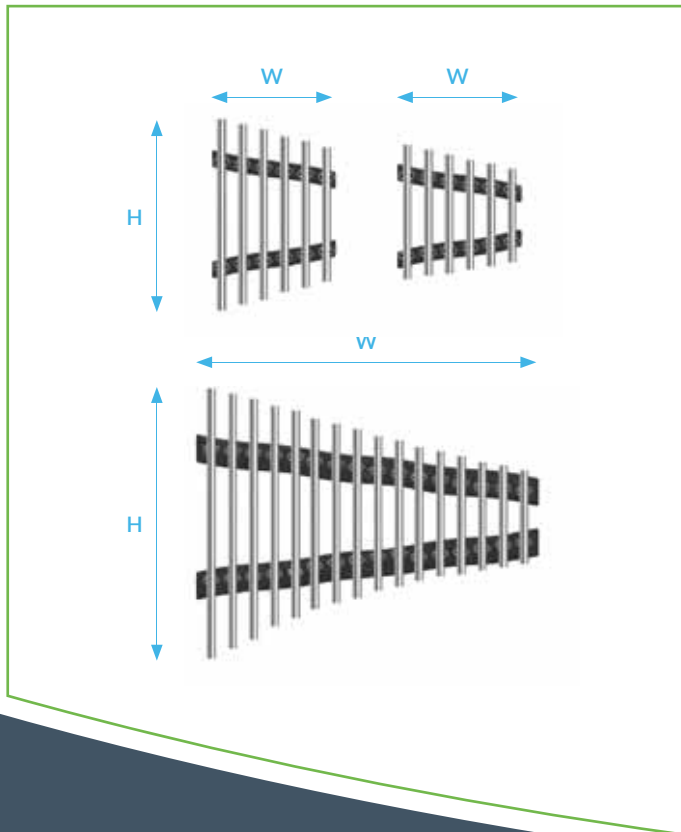


# Freechimes (Pentatonic)

C Major Pentatonic - C3-C6

The beauty of the pentatonic scale is that there are “no wrong notes”. Just striking the chimes randomly produces a harmonious melody.

Available individually as solo chimes, in pre-set arrangements or as a full symphony, Freechimes have an outstanding resistance to vandalism and all weather conditions making them the perfect addition to an outdoor classroom or music trail.



Pentatonic Symphony



Alto Pentatonic



Soprano Pentatonic

## Specification

### Soprano Pentatonic

**Weight** - 7 kg      **15 lbs**  
**Length** - 76 cm      **30 in**  
**Width** - 70 cm      **27 in**

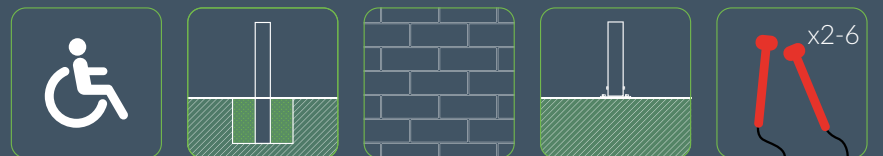
### Alto Pentatonic

**Weight** - 8 kg      **18 lbs**  
**Length** - 108 cm      **42 in**  
**Width** - 70 cm      **27 in**

### Pentatonic Symphony

**Weight** - 25 kg      **55 lbs**  
**Length** - 153 cm      **60 in**  
**Width** - 192 cm      **76 in**

## Features







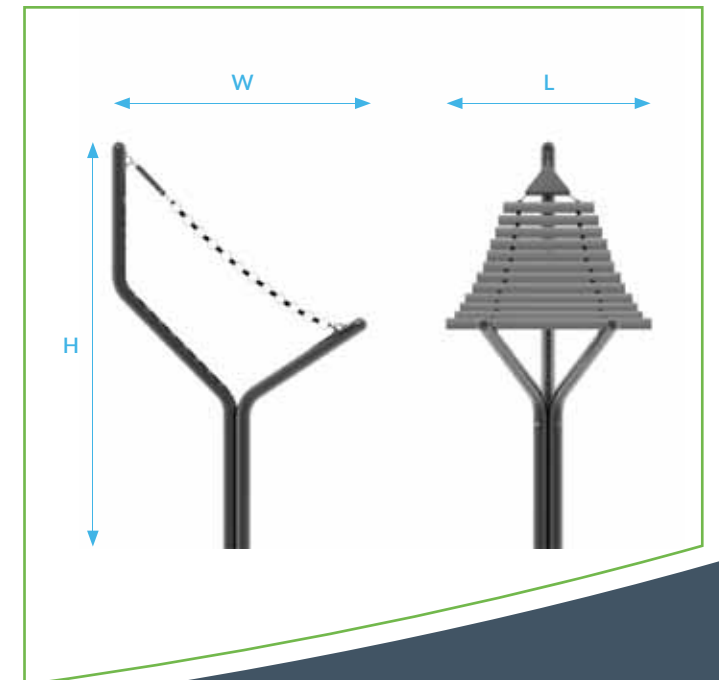
C Major Pentatonic - C5-C7

# Harmony

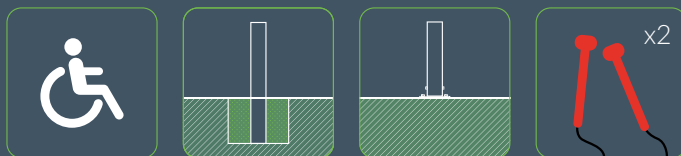


The Harmony is based upon a traditional Vietnamese Bamboo xylophone called a Trung.

Elegant, with an irresistibly beautiful sound and resonance, Harmony is perfect for exploring melodies. The harmonic arrangement of notes produces a sweet and happy high pitched sound when played.



## Features



## Specification

<b>Weight</b>	- 19 kg	<b>42 lbs</b>
<b>Length</b>	- 70 cm	<b>28 in</b>
<b>Width</b>	- 86 cm	<b>34 in</b>
<b>Max Height</b>	- 155 cm	<b>61 in</b>



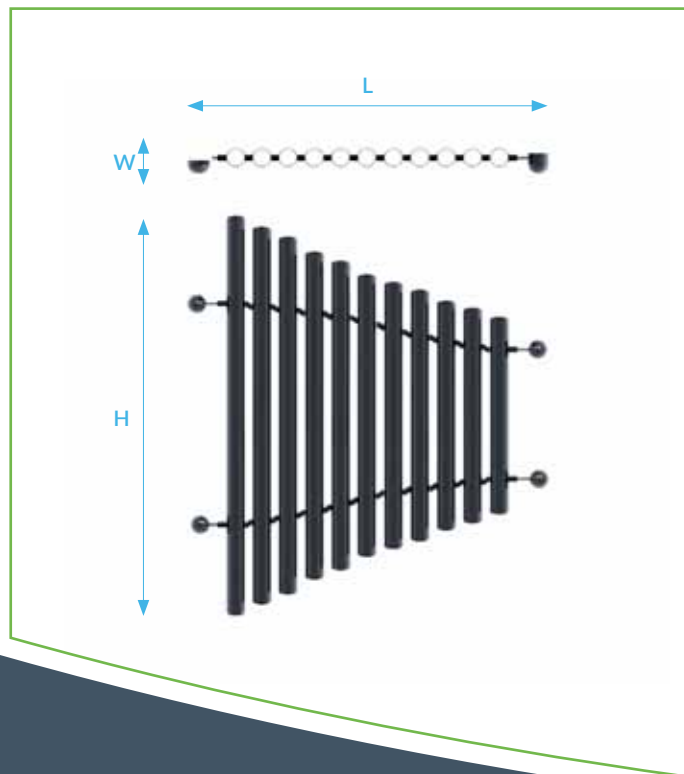
# Mirror Chimes

C Major Pentatonic - C4-C6

Our beautiful Mirror Chimes will reflect light and add intrigue to your outdoor space.

The highly polished durable stainless-steel notes add a touch of sparkle while remaining extremely durable. Assembled using universal mounting brackets which can be used on virtually any vertical surface.

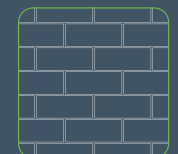
Mirror chimes are pentatonic, and players can produce relaxing melodies that reflect harmony, grace and beauty.



## Specification

<b>Weight</b>	- 18 kg	<b>40 lbs</b>
<b>Length</b>	- 132 cm	<b>52 in</b>
<b>Width</b>	- 13 cm	<b>5 in</b>
<b>Max Height</b>	- 109 cm	<b>43 in</b>

## Features



x2





Composed

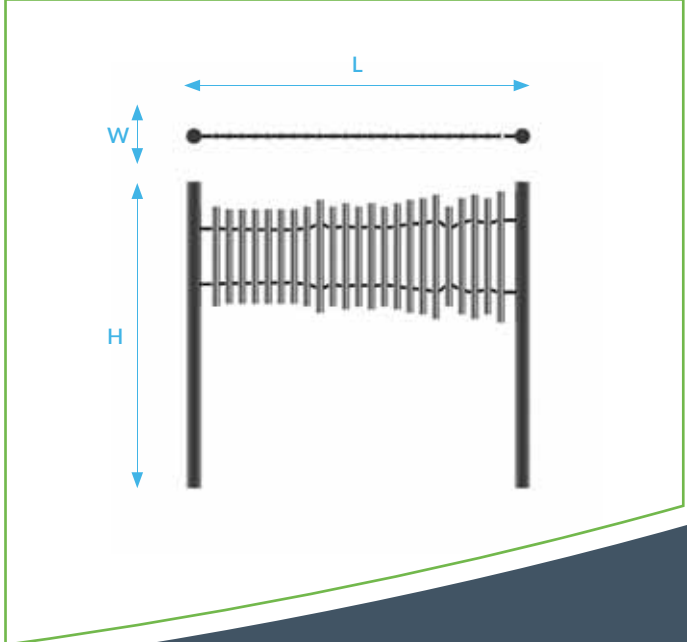
# MyTunes



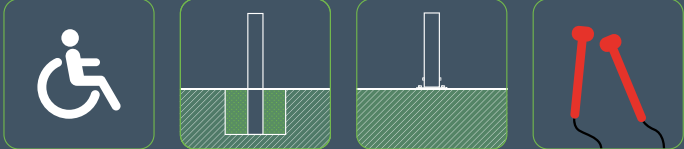
My Tunes are a unique concept and great fun to play for all ages. Anodized aluminum notes are suspended between stainless steel posts and arranged sequentially so that by simply striking the notes in order a familiar tune is played.

Choose from well-known favourite songs or personalise to suit the instrument's location or target audience. Some examples of our My Tunes projects to date include:

- Star Spangled Banner
- Frere Jacques
- Teddy Bear's Picnic
- Amazing Grace
- Grand Old Duke of York
- Darling Clementine
- Old MacDonald had a Farm
- Ode to Joy
- I do like to be beside the Seaside
- O Canada



## Features



## Specification

<b>Weight</b>	- Varies	<b>Varies</b>
<b>Length</b>	- Varies	<b>Varies</b>
<b>Width</b>	- 8 cm	<b>3 in</b>
<b>Max Height</b>	- 150 cm	<b>59 in</b>

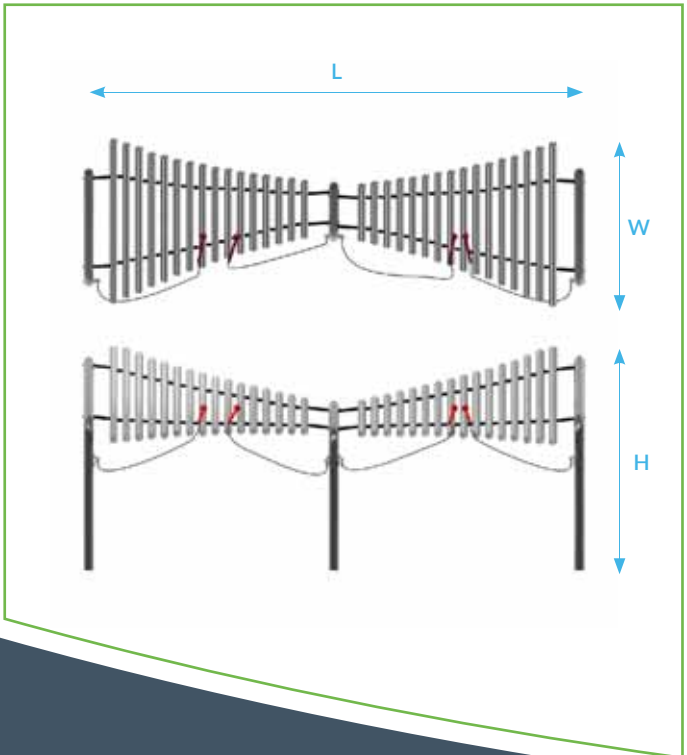


# Papilio Bells

C Major Pentatonic - C4-C6

Papilio – with a name derived from the resemblance of its elegant shape to that of the Butterfly - is a tubular bell type metallophone with notes of suspended anodized aluminum tubes supported by a stainless-steel frame.

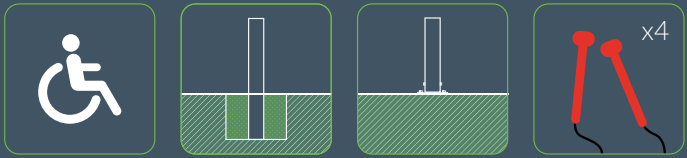
The wide span of the Papilio means it can easily be played by 4 players - an opportunity for people of all ages to play alongside each other, plus the pentatonic nature of the instrument means there are no wrong notes.



## Specification

<b>Weight</b>	- 36 kg	<b>79 lbs</b>
<b>Length</b>	- 245 cm	<b>96 in</b>
<b>Width</b>	- 81 cm	<b>31 in</b>
<b>Height</b>	- 111 cm	<b>43 in</b>

## Features







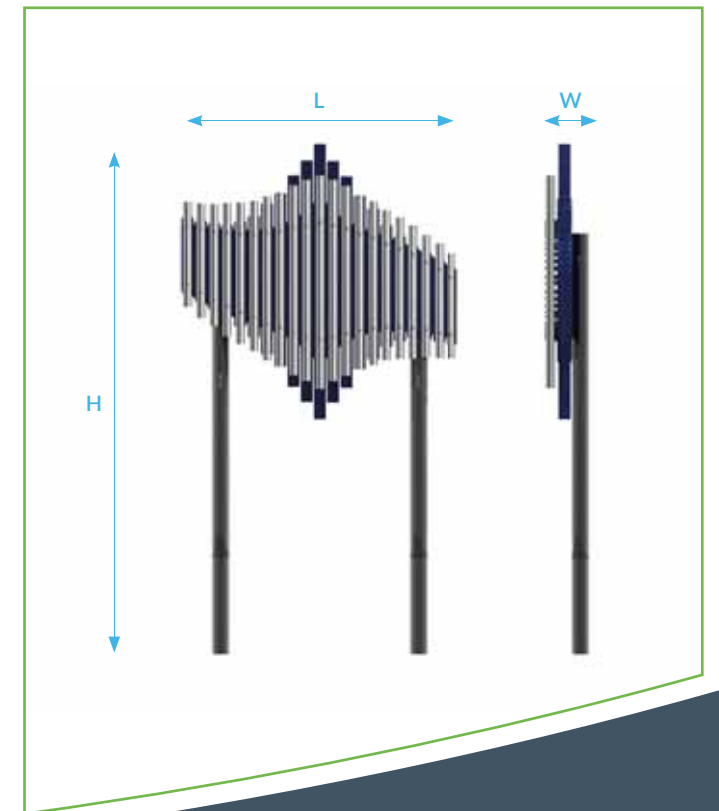
C Major Pentatonic - C4-C6

# Sonora

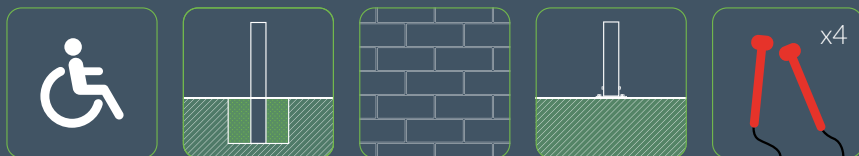


The Sonora's 21 tubular bells chime out loud to produce a sweet melody. Made from hand tuned, heavy duty anodized aluminum, the Sonora can be wall-mounted or affixed to posts for easy installation in any location. The modern design, based on a wave effect, ensures that the Sonora certainly stands out in a crowd!

Also available with aluminum resonators between heavy-duty HDPE sheets (only in black). Recommended for public and high use areas.



## Features



## Specification

<b>Weight</b>	- 30 kg	<b>66 lbs</b>
<b>Length</b>	- 140 cm	<b>55 in</b>
<b>Width</b>	- 12 cm	<b>5 in</b>
<b>Height</b>	- 180 cm	<b>71 in</b>



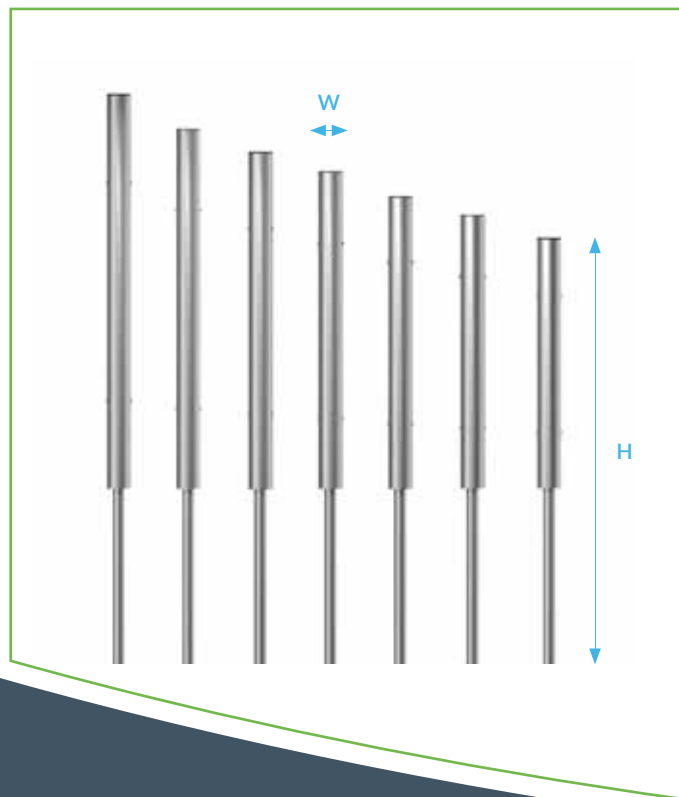
# Tubular Bells

C Major Pentatonic - A3-C5

Tubular bells are a visual and sonic delight for all ages.

The mid-range tone is not only heard but felt too. Simple yet striking, these bells will bring an architectural dynamic to your chosen outdoor area, as well as an amazing auditory experience.

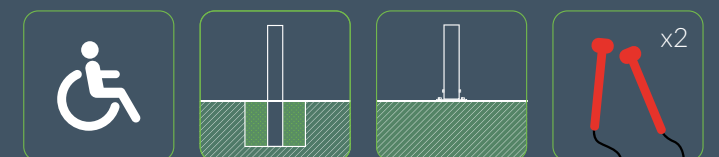
Available as a set of 7 or individually. We recommend that they are installed in a horseshoe arrangement, so that when inside the curve you are literally 'bathed in sound'.



## Specification

<b>Weight</b>	- 57 kg	<b>126 lbs</b>
<b>Width</b>	- 10 cm	<b>4 in</b>
<b>Min Height</b>	- 160 cm	<b>63 in</b>
<b>Max Height</b>	- 220 cm	<b>87 in</b>

## Features





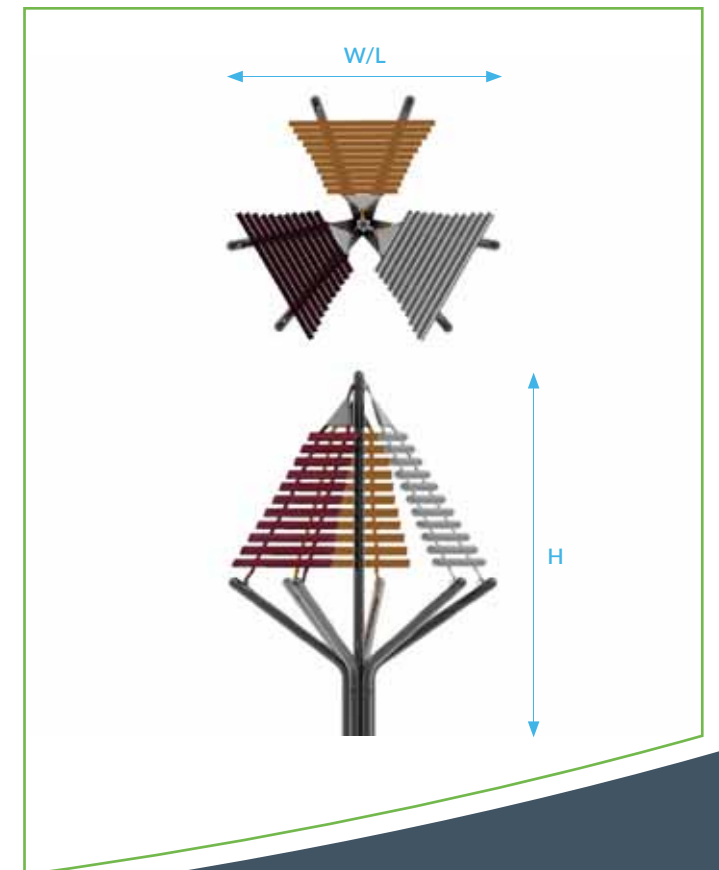


Aluminum - C5-C7 Pentatonic  
 Paduak - A3-A5 Pentatonic  
 GRP - G3-C5 Diatonic

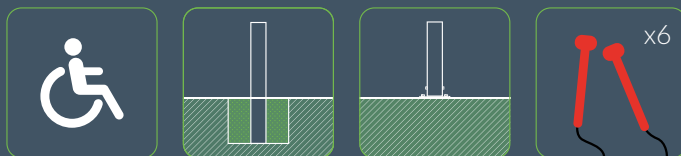
# Tutti

Where music meets art. The Tutti is an eye-catching, three-sided sound sculpture, best played with a couple of friends.

Made from three different materials, aluminum, glass-reinforced plastic (GRP) and Paduak hardwood, set into a stainless steel stand, the Tutti has a variety of tones that work when played individually or collectively as one super-instrument.



## Features



## Specification

Weight	- 55 kg	<b>121 lbs</b>
Length	- 130 cm	<b>51 in</b>
Width	- 130 cm	<b>51 in</b>
Max Height	- 155 cm	<b>61 in</b>



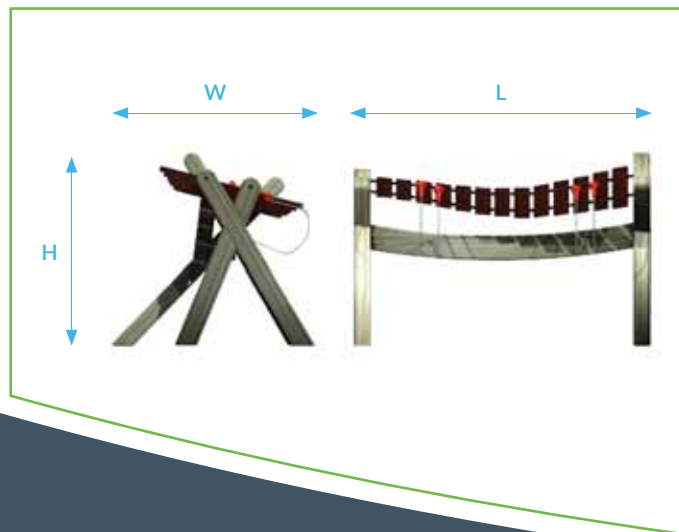
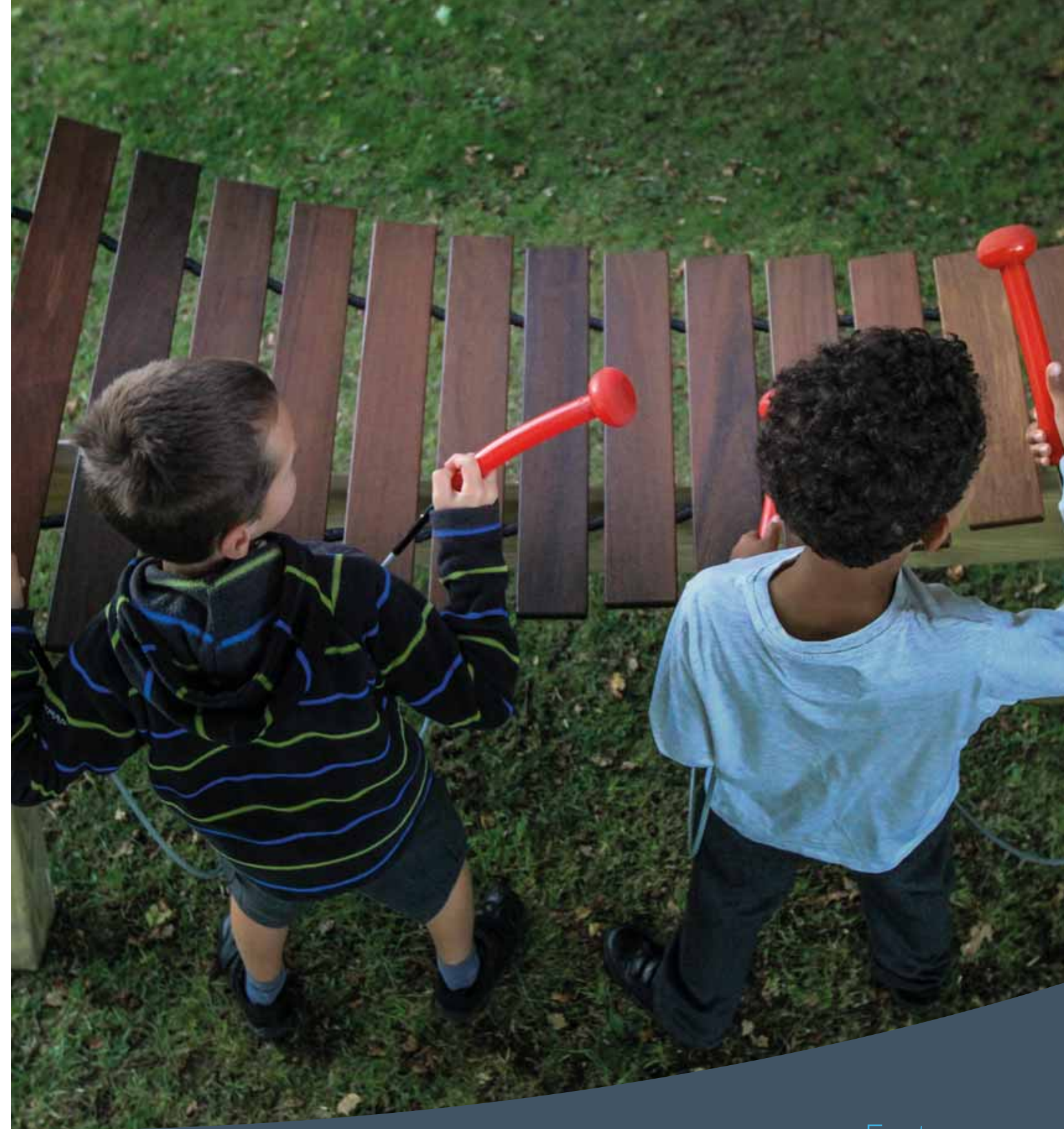
# Akadinda

C Major Pentatonic - A2-D5

A traditional African marimba inspired our Akadinda.

This 'gentle giant' of an instrument can accommodate up to four players and is ideal for bringing people together.

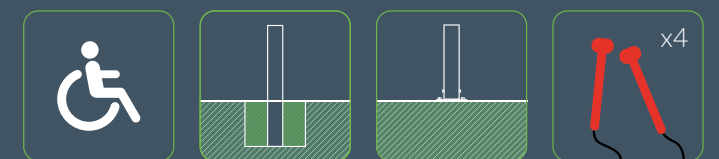
Made from Padauk hardwood, the notes or keys produce a natural, mellow tone that can be enjoyed by children and adults alike.



## Specification

<b>Weight</b>	- 38 kg	<b>84 lbs</b>
<b>Length</b>	- 183 cm	<b>72 in</b>
<b>Width</b>	- 122 cm	<b>48 in</b>
<b>Max Height</b>	- 112 cm	<b>44 in</b>

## Features







C Major Pentatonic - C3-C5

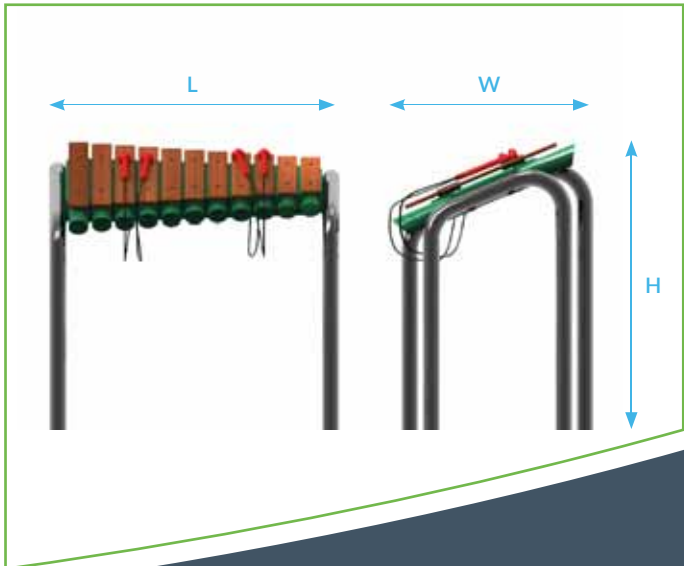
# Grand Marimba



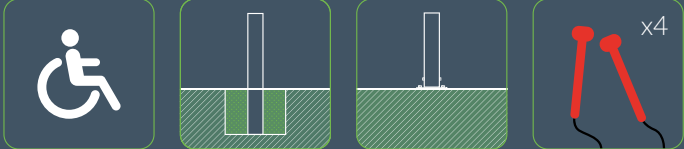
Producing an intense, deeply resonant sound this substantial outdoor instrument is perfect as creative playground equipment, for music lessons or music therapy sessions.

The big wooden Padauk keys are reassuringly simple to play, making the Grand Marimba ideal for improvising and experimenting with music in the fresh air.

Set within a contemporary stainless-steel frame, it is suitable for ground or surface fixing.



## Features



## Specification

<b>Weight</b>	- 47 kg	<b>104 lbs</b>
<b>Length</b>	- 135 cm	<b>53 in</b>
<b>Width</b>	- 93 cm	<b>37 in</b>
<b>Max Height</b>	- 99 cm	<b>39 in</b>



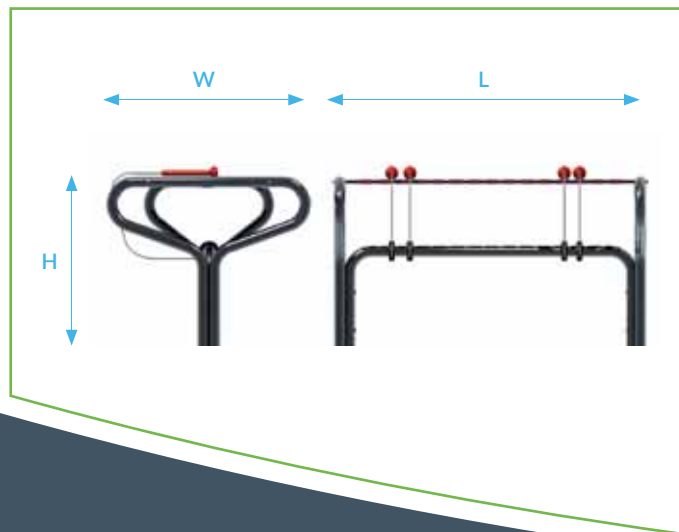
# Marimba

C Major Diatonic - C3-C5

Our outdoor Marimba is big enough for up to four people to come together and play at any time.

This Marimba offers an enjoyable and exciting way to explore music making and is great for improvised play and performances.

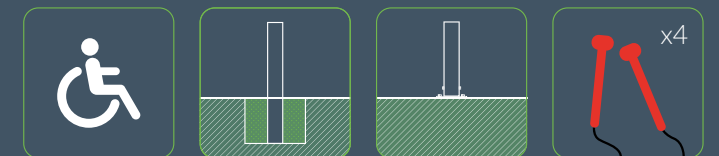
Tuned diatonically to C Major C3-C5 scale, when hit with the attached beaters the Marimba makes a mellow, rich sound.



## Specification

<b>Weight</b>	- 37 kg	<b>82 lbs</b>
<b>Length</b>	- 158 cm	<b>62 in</b>
<b>Width</b>	- 93 cm	<b>37 in</b>
<b>Max Height</b>	- 86 cm	<b>34 in</b>

## Features







C Major Diatonic - C4-C6

# Wall Marimba

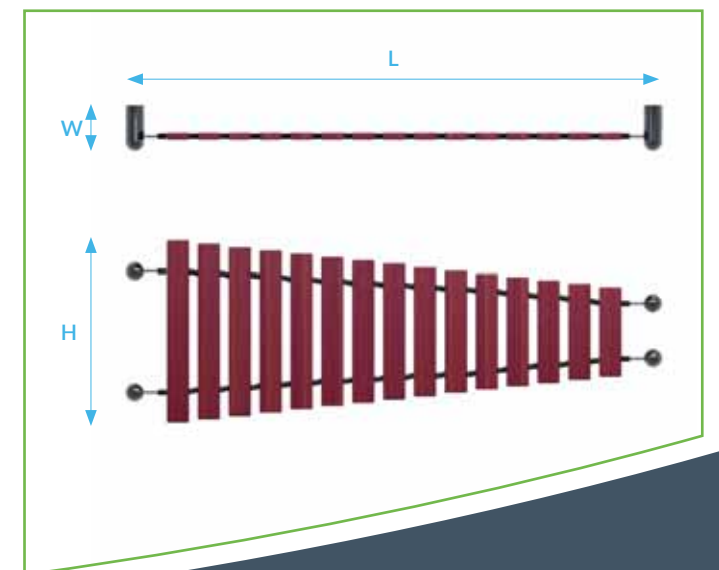


Our Wall Marimba combines musical creativity with space-saving efficiency.

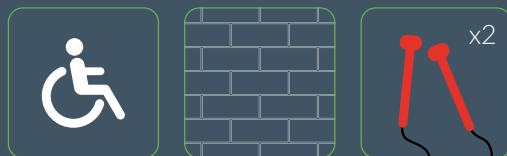
The fifteen diatonic C Major C4-C6 notes are made from polished GRP designed to look like Purple Heart hardwood which creates a distinctly happy sound.

The Wall Marimba is stable and robust making it perfect for installation in patios, courtyards or smaller children's playgrounds.

Wall mounted outdoor musical instruments such as the Wall Marimba provide the perfect solution to liven up a difficult or overlooked area and work well where there is limited space available such as courtyards, covered patios and other outdoor structures or classrooms.



## Features



## Specification

<b>Weight</b>	- 13 kg	<b>29 lbs</b>
<b>Length</b>	- 151 cm	<b>59 in</b>
<b>Width</b>	- 13 cm	<b>5 in</b>
<b>Max Height</b>	- 50 cm	<b>20 in</b>



# Tembos

C Major Pentatonic - C3-C4  
 C Major Diatonic - C3-C4  
 Blues Scale - G, Bb, C, Eb, F, Gb, G

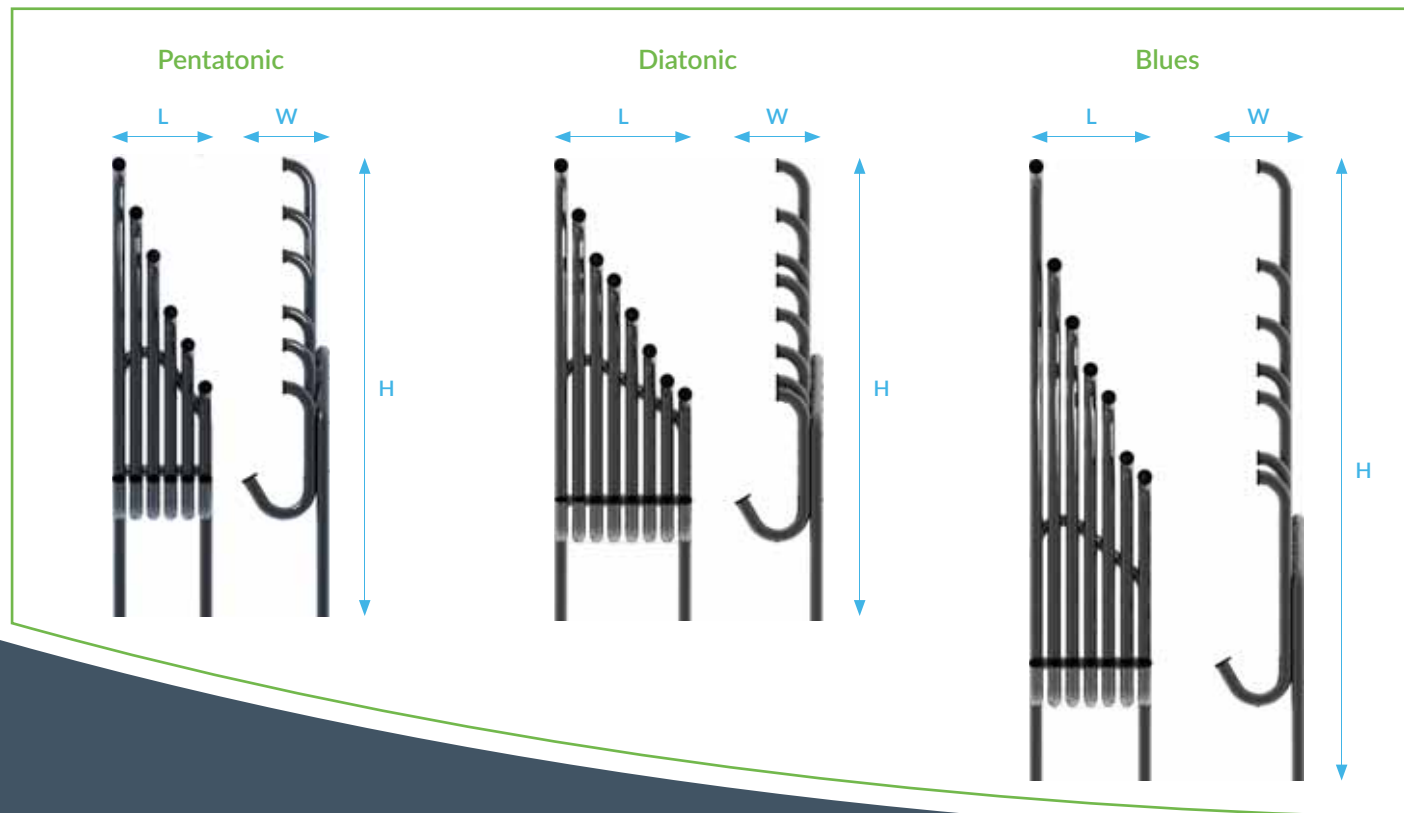
Quirky and intriguing with a great sound to match, our range of plosive aerophones called Tembos are made of stainless steel tubing.

Tembos (Swahili for elephant) produce bouncy, exciting sounds when the ends of the 'trunks' are hit with the neoprene paddles.

Available in three different tunings; Pentatonic for easy improvisation with no clashing or dissonant notes, Diatonic so players can play familiar or favourite tunes as well as improvising or composing their own and finally Blues Scale which produces a very familiar deep bluesy sound.



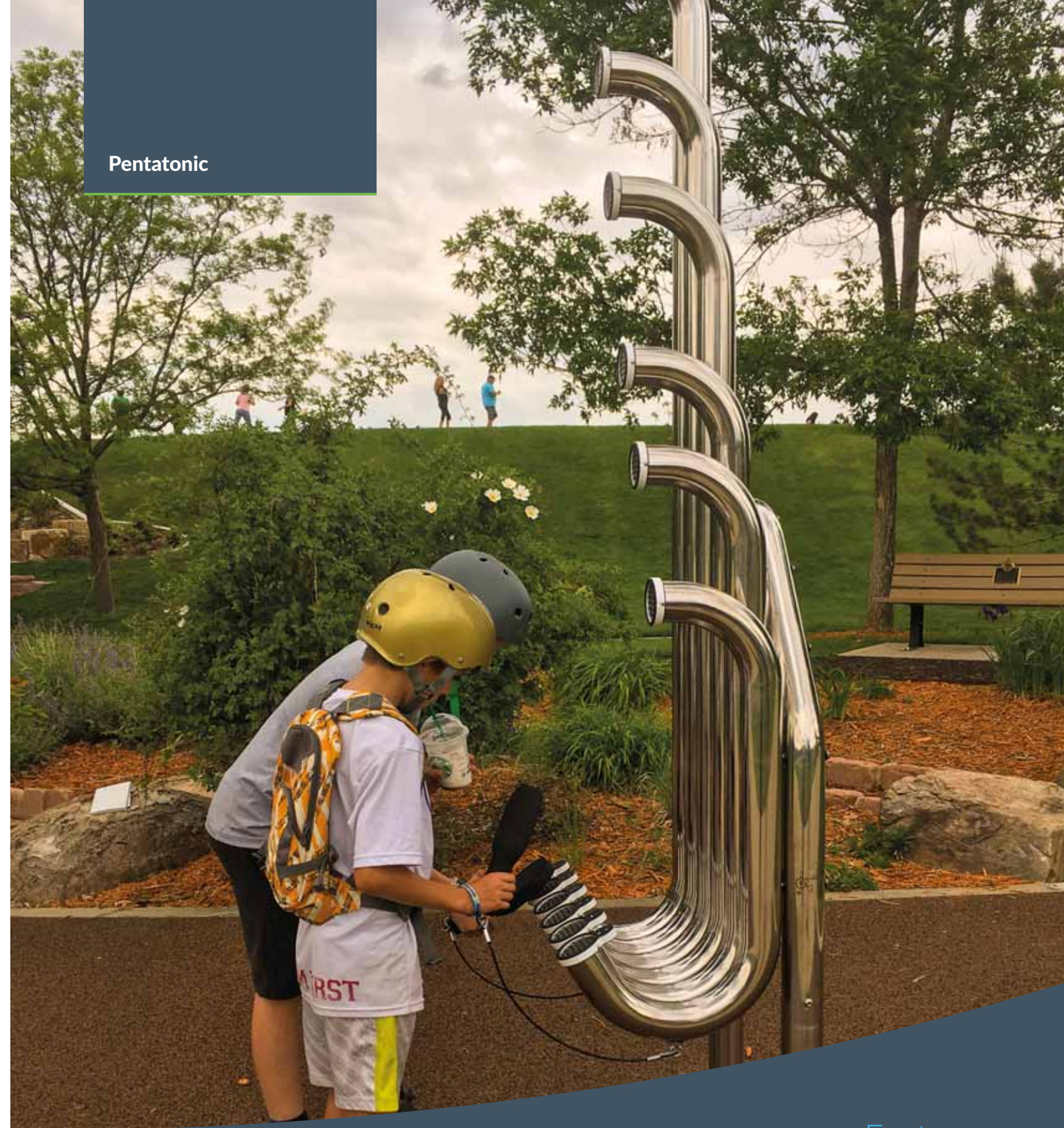
Diatonic



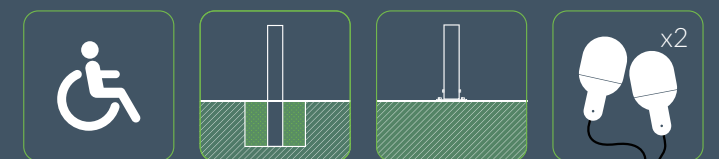
## Specification

Tuning	Weight	Width	Min Height	Max Height
<b>Pentatonic</b>	- 80 kg <b>176 lbs</b>	- 56 cm <b>22 in</b>	- 60 cm <b>24 in</b>	- 80 cm <b>32 in</b>
<b>Diatonic</b>	- 100 kg <b>220 lbs</b>	- 56 cm <b>22 in</b>	- 60 cm <b>24 in</b>	- 80 cm <b>32 in</b>
<b>Blues</b>	- 110 kg <b>243 lbs</b>	- 56 cm <b>22 in</b>	- 60 cm <b>24 in</b>	- 80 cm <b>32 in</b>

Pentatonic



## Features







C Major Diatonic - G3-C5

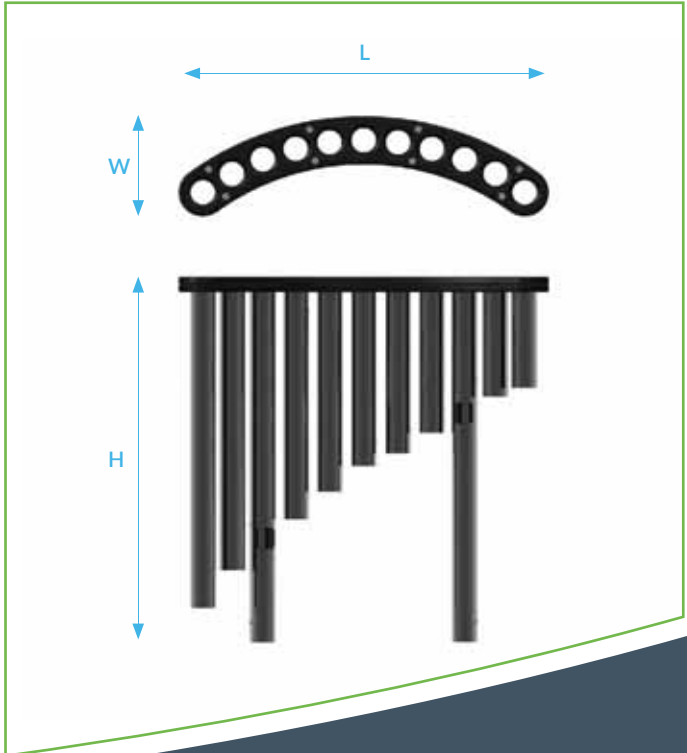
# Handpipes



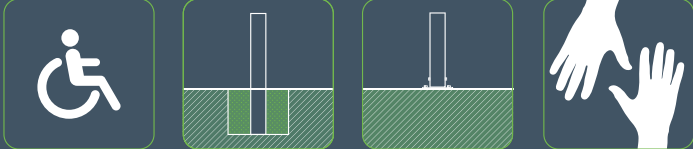
Our Handpipes are another example of 'plosive' aerophones designed to be played with the hands as the name suggests, to create a funky sound.

The diatonic tuning allows access to hundreds of tunes, allowing the player to improvise and experiment to their heart's content.

A high-density polyethylene (HDPE) mounting sets and aligns the instrument, so once installed all that's left to do is play!



## Features



## Specification

<b>Weight</b>	- 25 kg	<b>55 lbs</b>
<b>Length</b>	- 91 cm	<b>36 in</b>
<b>Width</b>	- 25 cm	<b>10 in</b>
<b>Max Height</b>	- 96 cm	<b>38 in</b>





## Trio Ensemble

---

This popular ensemble is an impressive and striking trio. It can accommodate over a dozen children.

This set consists of seven Tubular Bells, our large Babel Drum and the anchor of rhythm, the Rainbow Sambas. With a variety of pitch range and tonal character, everyone is sure to have their favourite piece.

Rainbow Sambas  
Tubular Bells  
Large Babel Drum





## Soprano Quartet Ensemble

Medium Congas  
Small Babel Drum  
Cadenza - Maya  
Soprano Pentatonic Freechimes

The perfect choice for those projects where you need to squeeze the most out of your budget and create a resounding impact.

This mixed quartet of instruments comprises our compact but punchy Cadenza, a Babel Drum and Soprano Pentatonic Freechimes. Spanning two octaves from middle C to C6, players will be making harmonious music together almost instantly. The set also includes a pair of Congas to help keep a steady beat going.

Cadenza available with aluminum resonators between heavy-duty HDPE sheets (only in black). Recommended for public and high use areas.





## Alto Quartet Ensemble

---

The Alto Quartet is the bigger sibling to the Soprano Quartet Ensemble.

An ideal solution for when you've got more space to play with and a little more budget. This quartet consists of the Duo Cupla - offering both aluminum and GRP notes, a towering set of three Emperor Chimes, our Alto Diatonic Freechimes and a complete Congas Trio.

Duo available with aluminum resonators between heavy-duty HDPE sheets (only in black).  
Recommended for public and high use areas.

Congas Trio  
Emperor Chimes - Triad  
Duo - Cupla  
Alto Diatonic Freechimes





## Quintet Ensemble

- Cherub
- Sansa-Rimba
- Akadinda
- Tubular Bells
- Rainbow Sambas

The Quintet Ensemble of musical instruments offers a well-rounded range of tones and resonance.

Anyone can take the stage and play improvised music with no tuition or acknowledged musical ability. This popular collection provides a varied range of tones and sounds that blend effortlessly into beautiful music. Comprising of: Cherub, Sansa-Rimba, the warming Akadinda, a set of seven Tubular Bells and the Rainbow Sambas.

Sansa-Rimba & Cherub available with aluminum resonators between heavy-duty HDPE sheets (only in black).  
Recommended for public and high use areas.





## Street Quartet

---

The Street Quartet is designed for the toughest environments. Elements of 316 stainless steel, aluminum and HDPE combine for ultimate durability in areas of high use.

All instruments are played with hands only (no mallets)

Cajón  
Emperor Chimes  
Babel Drum  
Handpipes





UK 01730 235180  
USA/CAN: +1 (866) 882-9170  
RoW: +44 1730 235180

**Global Sales & Manufacturing**

Percussion Play Ltd  
info@percussionplay.com  
[www.percussionplay.com](http://www.percussionplay.com)



[app.percussionplay.com](http://app.percussionplay.com)





2019



UK 01730 235180  
USA/CAN: +1 (866) 882-9170  
RoW: +44 1730 235180

**Global Sales & Manufacturing**

Percussion Play Ltd  
info@percussionplay.com  
[www.percussionplay.com](http://www.percussionplay.com)



[app.percussionplay.com](http://app.percussionplay.com)

