

Installation Instructions

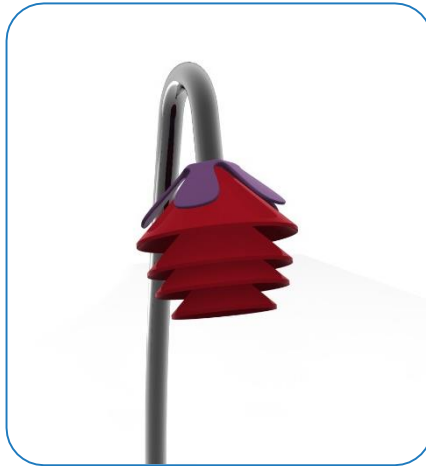
Surface Fixed

Harmony Bell
Page 1 of 2



Instrument Components:

Metric Conversion:
1650mm/ 64 61/64"
1500mm/ 59 1/16"
1350mm/ 53 5/32"
1.5m/ 59"



Weight of heaviest part **8kg** (Large Bell)

1. Unpack ground fixing leg 1no.

2. Lay packaging out on floor or assemble on non-abrasive surface to prevent marking of polished stainless steel.

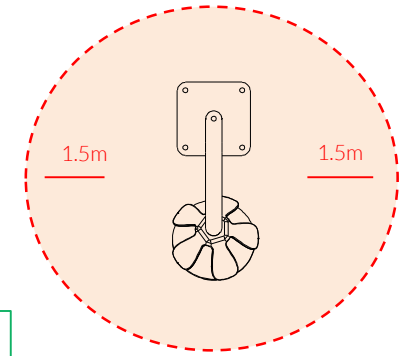
3. Align holes on leg to holes on surface fixing plate (opposite end to polished domes) and secure in place using 1no. M10 x 40mm Screw and Barrel Nut provided. Tools required TX 45 Driver Bits)

4. Invert assembled frame so Bells are at the top.

5. **Locate Bells** in desired location and mark holes to fix to surface.

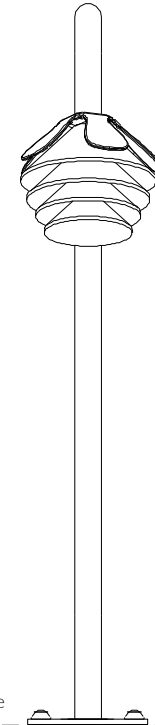
6. Fix to Surface using recommended ground anchors (**Ground Anchors are not supplied**)

7. Make sure all fixings are covered and secure using cover caps provided



Install Instrument with 1.5m free space (from widest point) around it.

Large 1650mm
Medium 1500mm
Small 1350mm
from plate



Ground Surface



Small Beaters X1

Surface Fix Components:

M10x40 Security Screw x1

M10 Barrel Nut x1


2 Part Cover Cap x4

Ground Anchors not supplied

Spares available from percussionplay.com or from your local distributor

14 Kg

Tools:



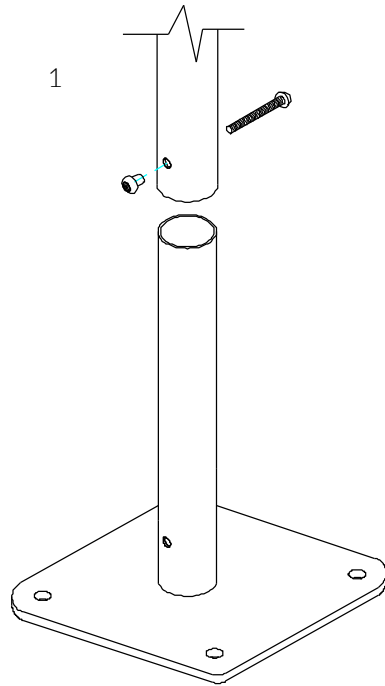
x1
TX 45 Driver Bit

Surface Fixed

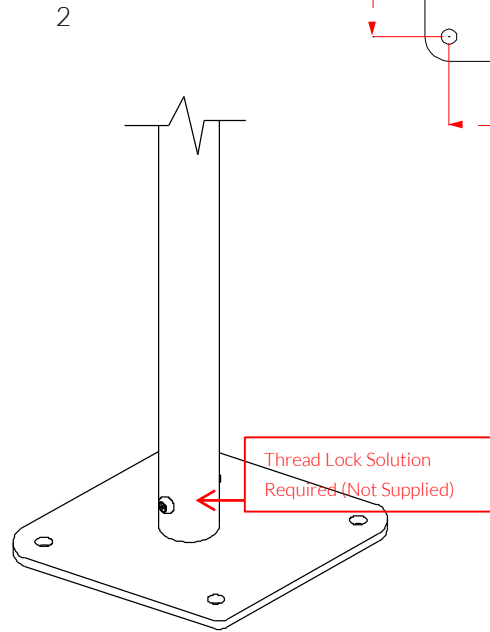
Harmony Bell
Page 2 of 2



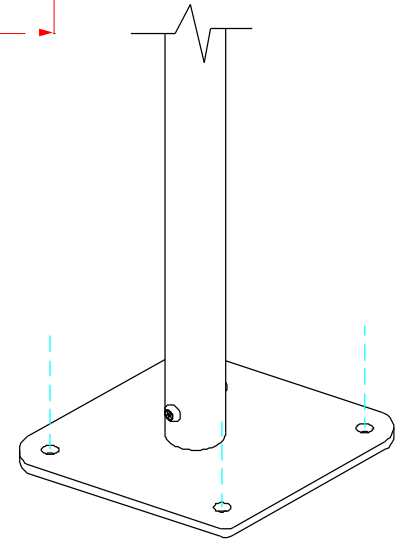
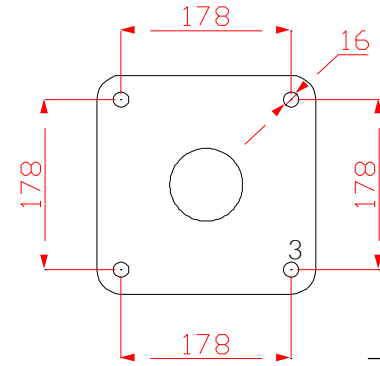
Instrument Components:



1
Locate the Surface fix Plate into the leg of the instrument.




2
Fix instrument to Surface fix plate using M10 bolt and Barrel Nut and use **thread locking solution** to prevent fixings working loose.



3
Fix Surface Plate to the ground surface **Ground Anchors Not provided** cover fixings with caps provided

Thread Lock Solution Required



Small Beaters X1

Surface Fix Components:



x1



x1



x4

Ground Anchors not supplied

Spares available from percussionplay.com or from your local distributor

30 Kg