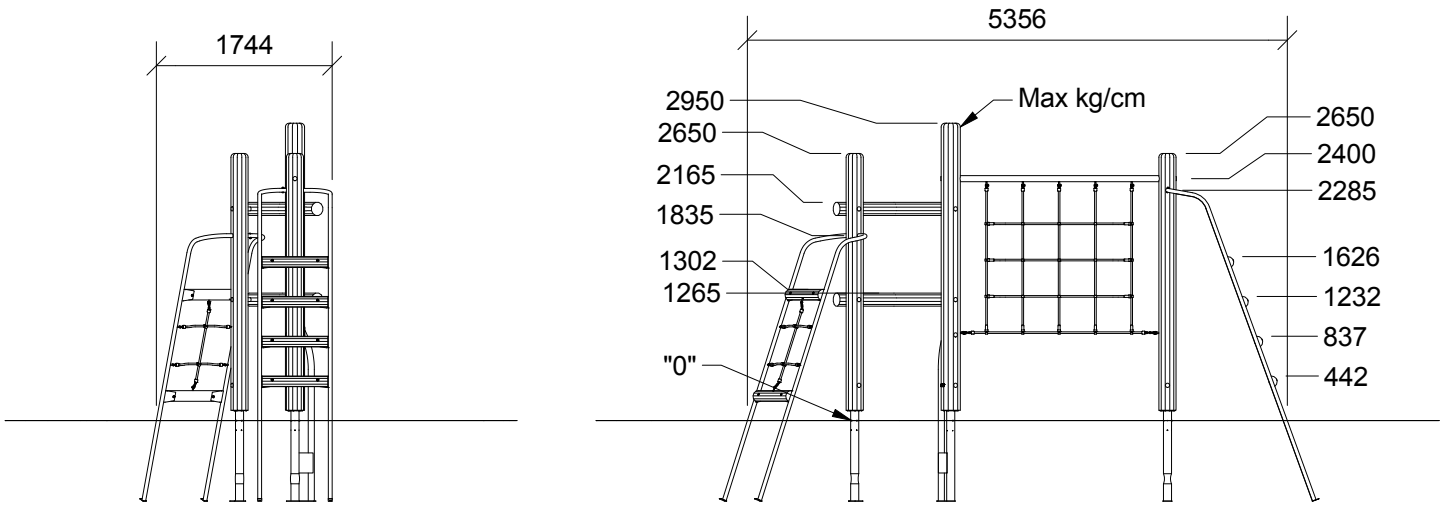
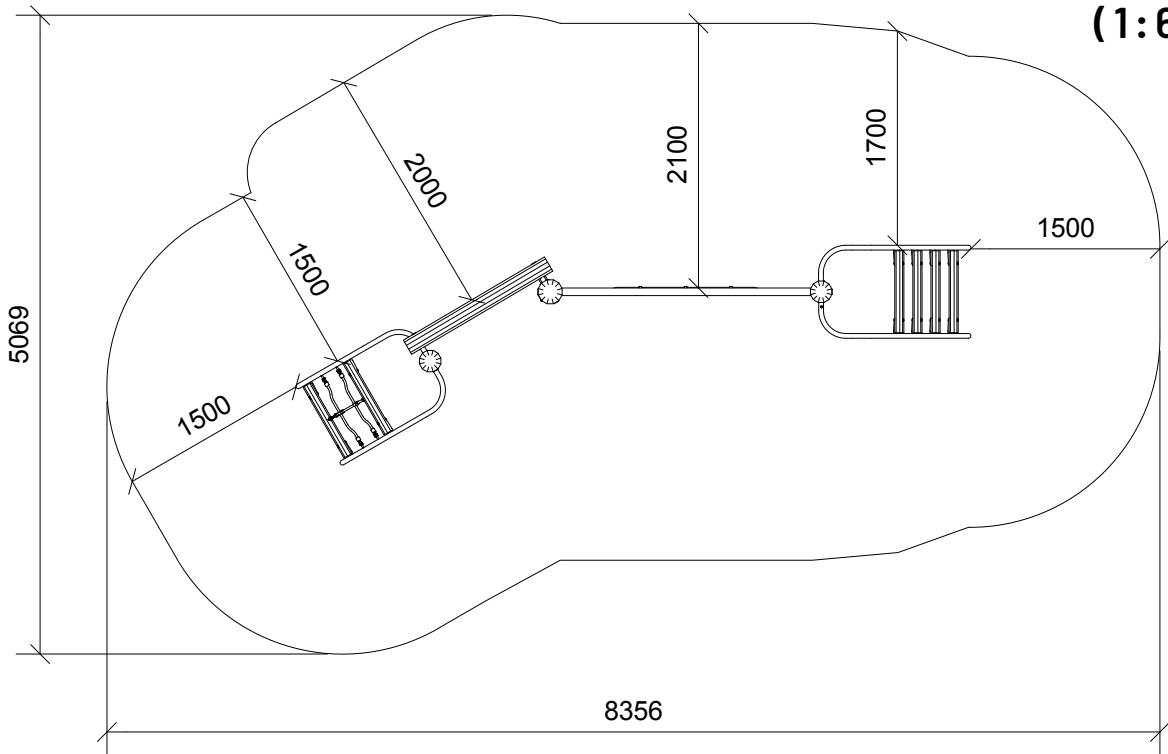


(1:75)



(1:60)



2



6,5h



32m²



8,4x5,1x3m



~322 kg



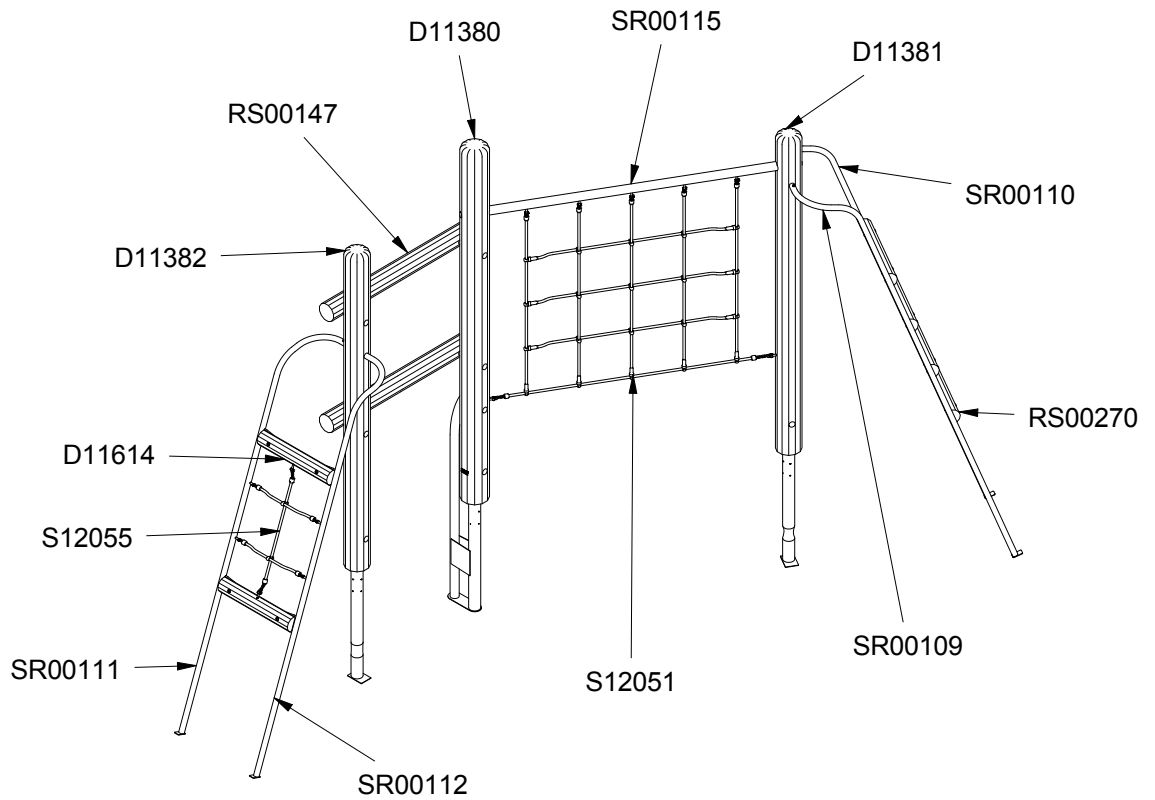
0,25m³



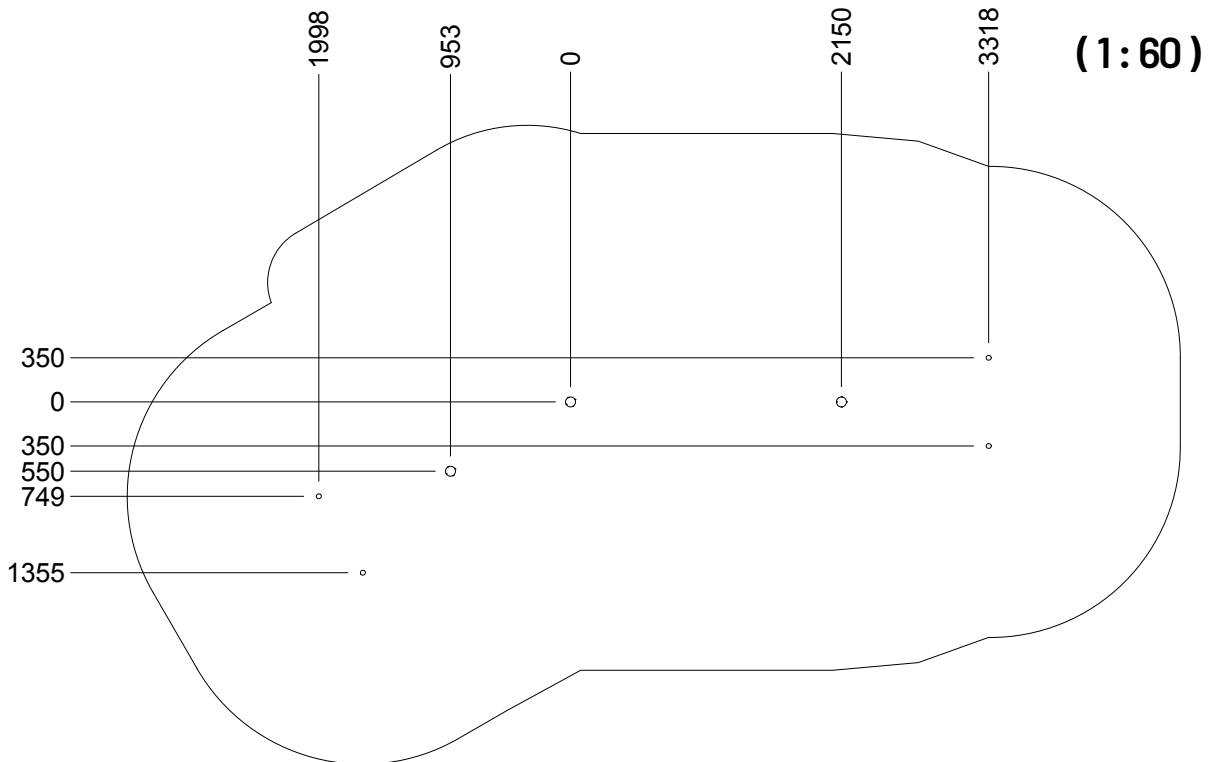
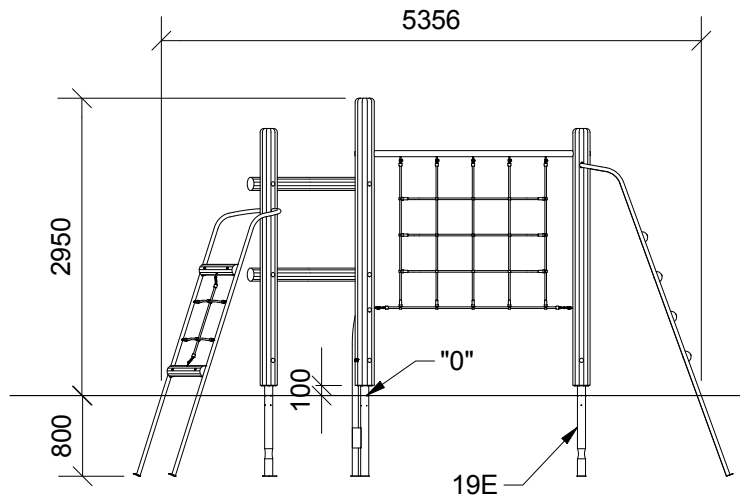
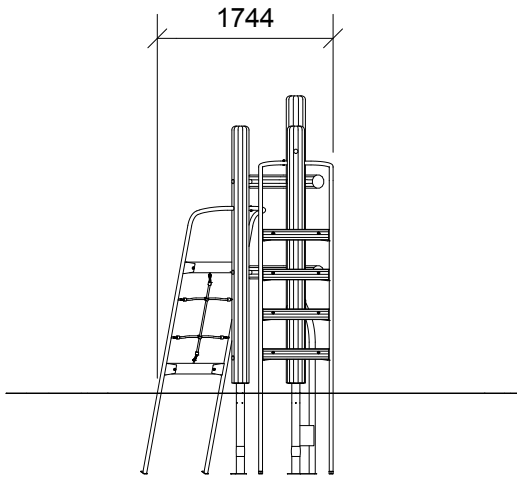
Ø18x375cm

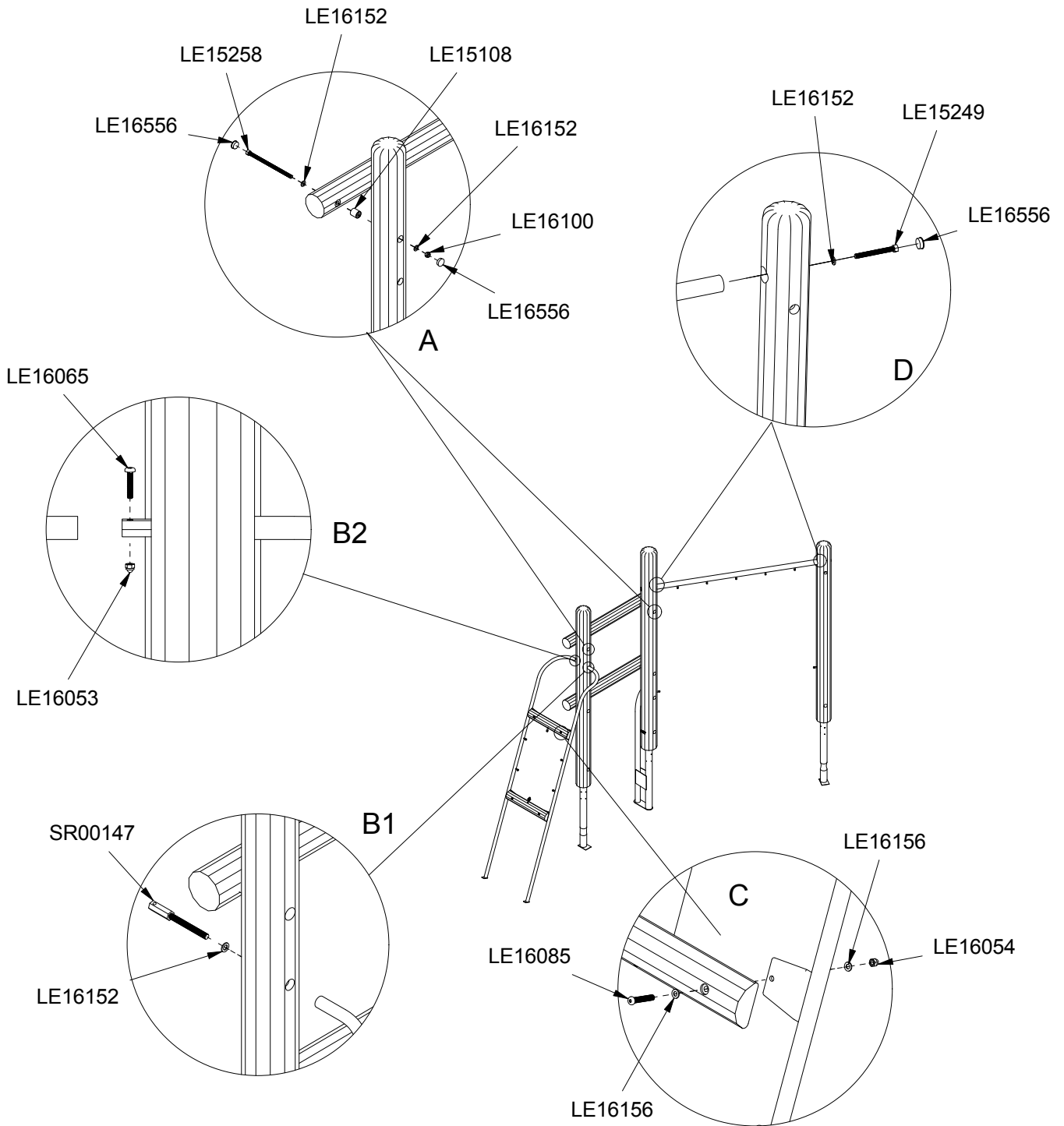


~95kg

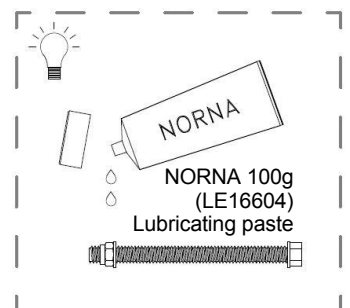


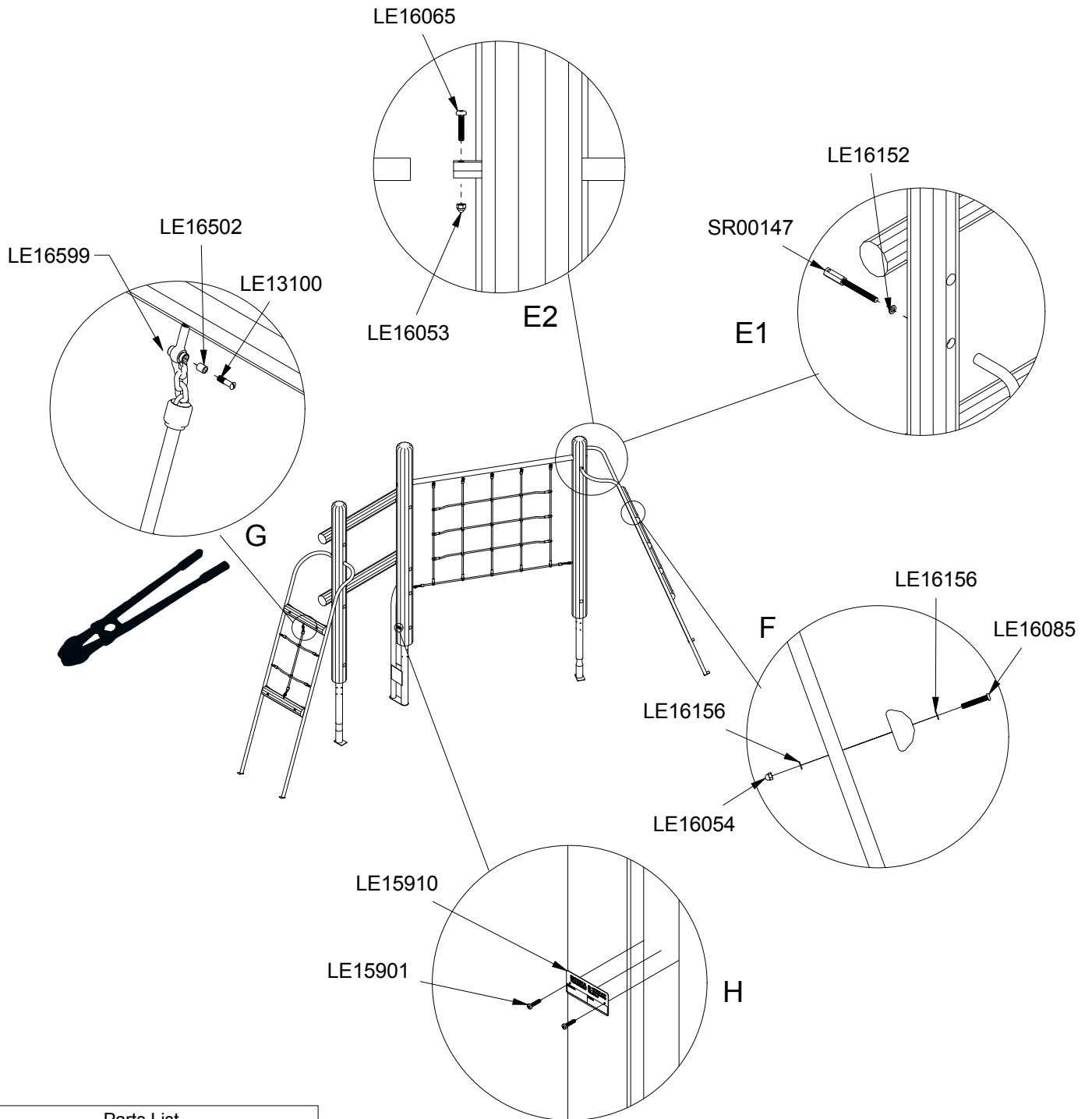
Parts List		
QTY	PART NO	DESCRIP.
1	D11380	Ø200x3790mm, assembled
1	D11381	Ø180x3490mm, assembled
1	D11382	Ø180x3490mm, assembled
2	D11614	Ø120x650mm, assembled
2	RS00147	Ø140x1300mm
4	RS00270	Ø110x650mm
1	S12051	Taifun
1	S12055	Taifun
1	SR00109	Left ladder frame
1	SR00110	Right ladder frame
1	SR00111	Left ladder frame
1	SR00112	Right ladder frame
1	SR00115	Ø60, Tube for net





Parts List		
QTY	PART NO	DESCRIP.
4	LE15108	Ø38 x40mm Spacer
2	LE15249	M16x150 mm
4	LE15258	M16x300mm
2	LE16053	M8 cap nut
12	LE16054	M10 cap nut
2	LE16065	M8x45mm
12	LE16085	M10x70 mm
4	LE16100	M16 nut
12	LE16152	M16 - Ø30 mm
24	LE16156	M10-Ø20
10	LE16556	Ø42/38mm
2	SR00147	M16x157/60





Parts List		
QTY	PART NO	DESCRIP.
13	LE13100	Shackle
2	LE15901	3x16, PH
1	LE15910	Name tag
2	LE16053	M8 cap nut
12	LE16054	M10 cap nut
2	LE16065	M8x45mm
12	LE16085	M10x70 mm
12	LE16152	M16 - Ø30 mm
24	LE16156	M10-Ø20
13	LE16502	Spacer 6mm
2	LE16599	Sealtite 970 1,5 ml (Glue)
2	SR00147	M16x157/60