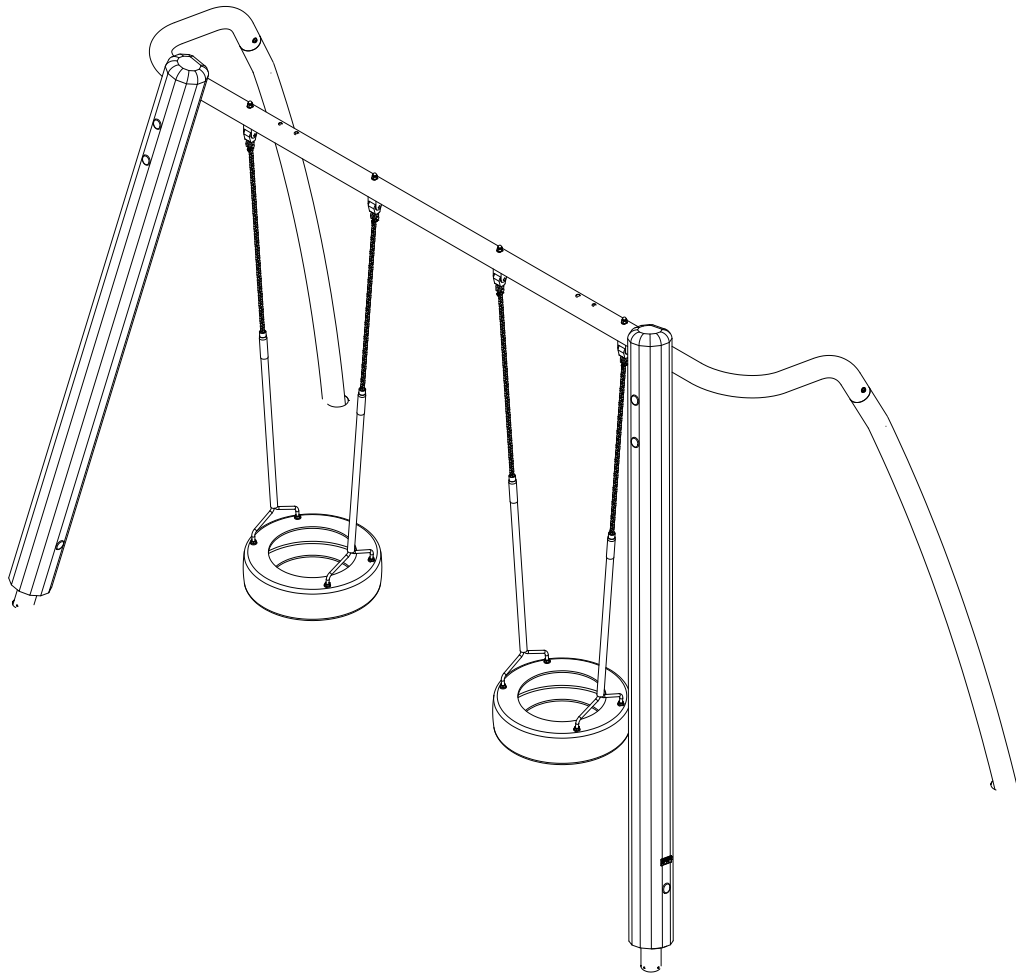
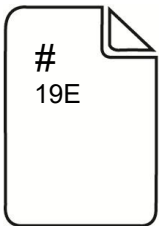


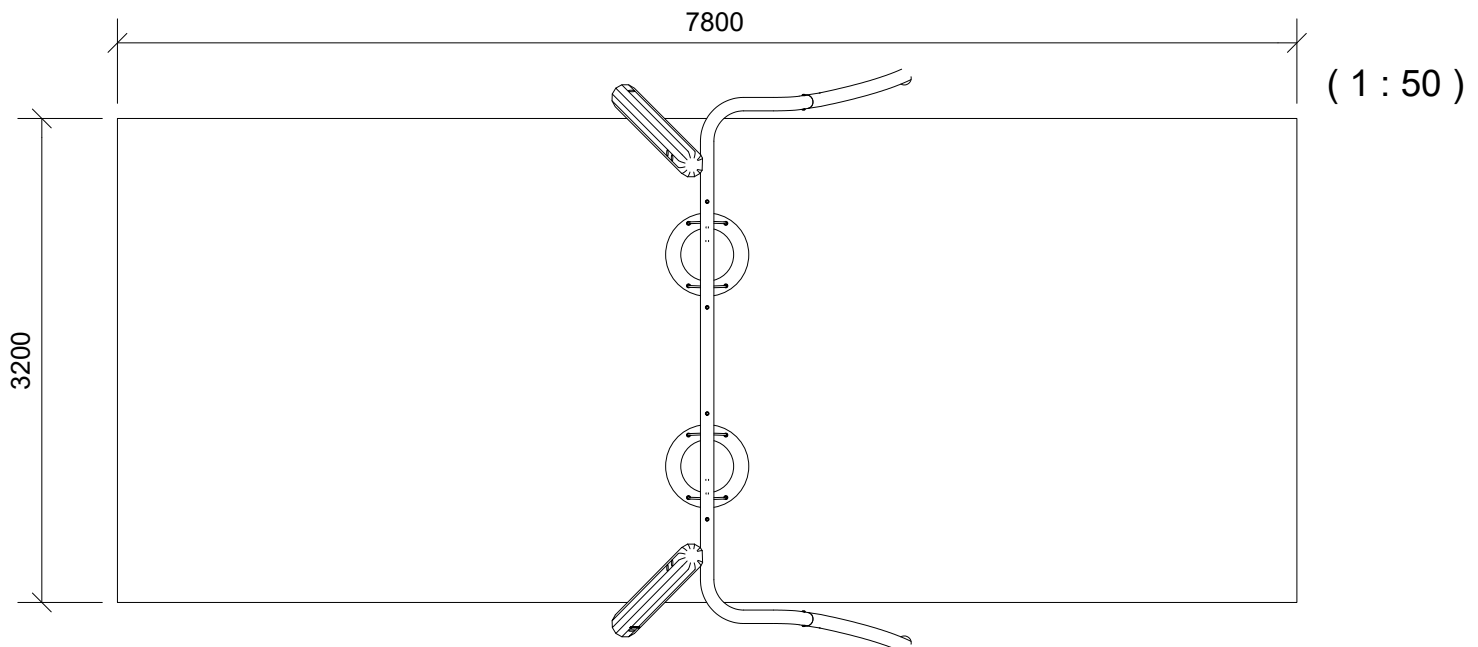
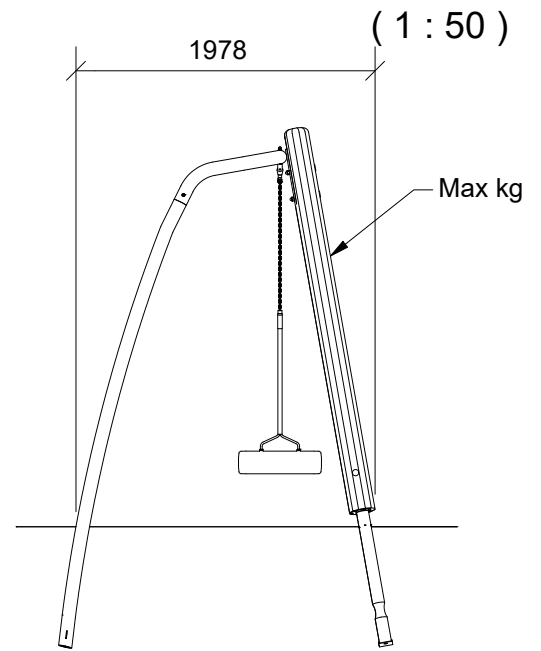
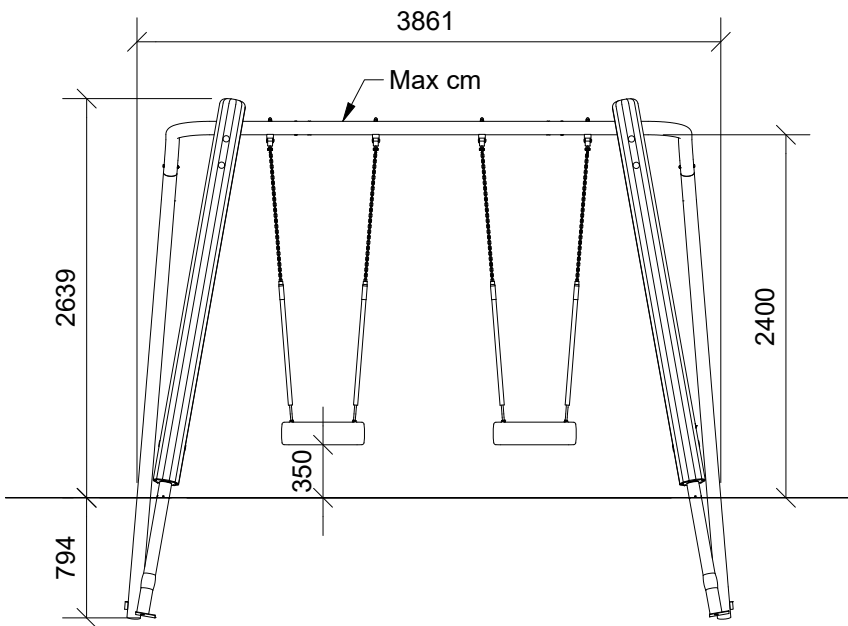
0305-004-002
0305-004-102

1/5



0305-004-002
0305-004-102

2/5



2



3 h



25 m²



7,8 x 3,8 x 2,65 m



~251 kg



~0,16 m³



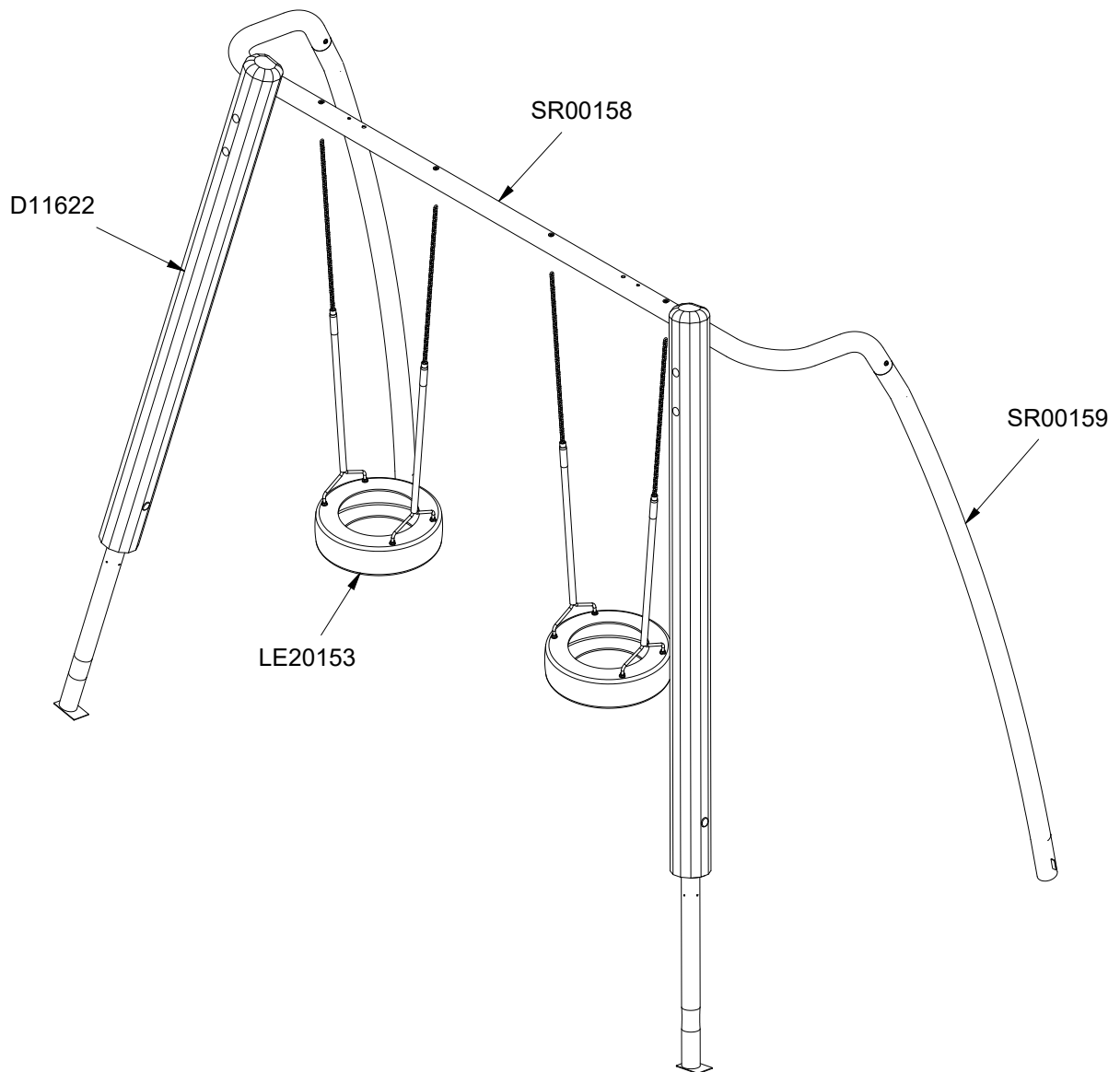
45x70x342 cm



65 kg

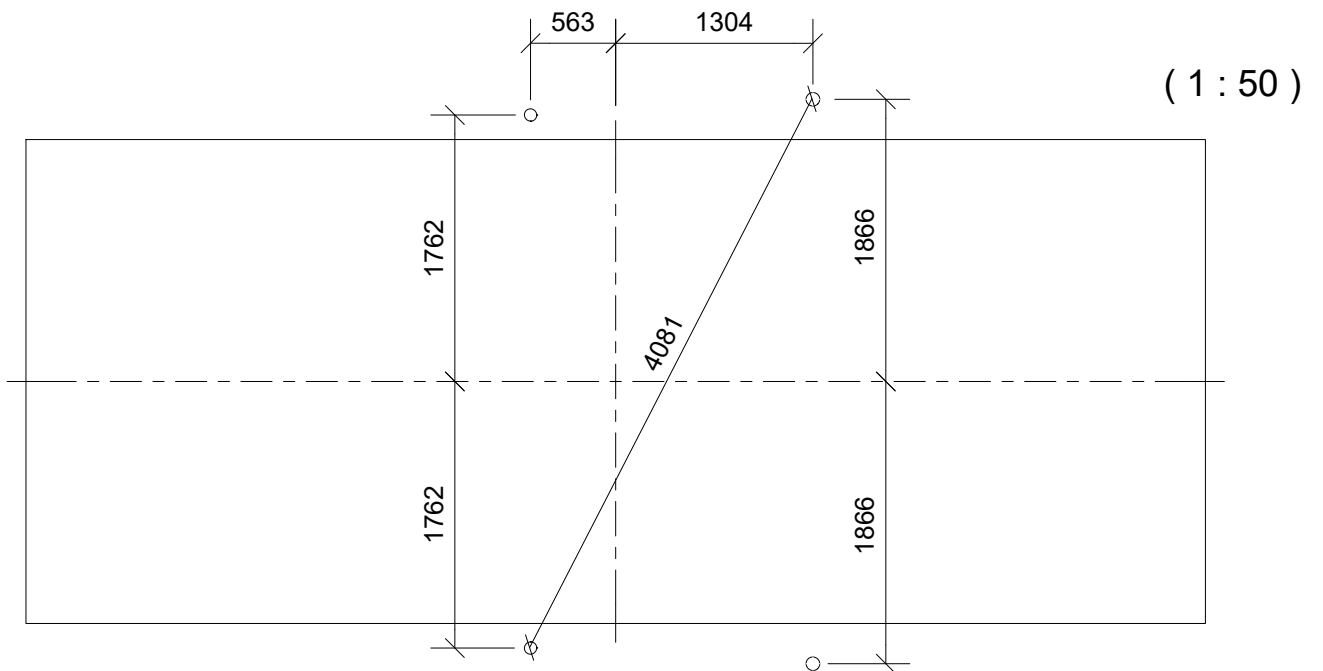
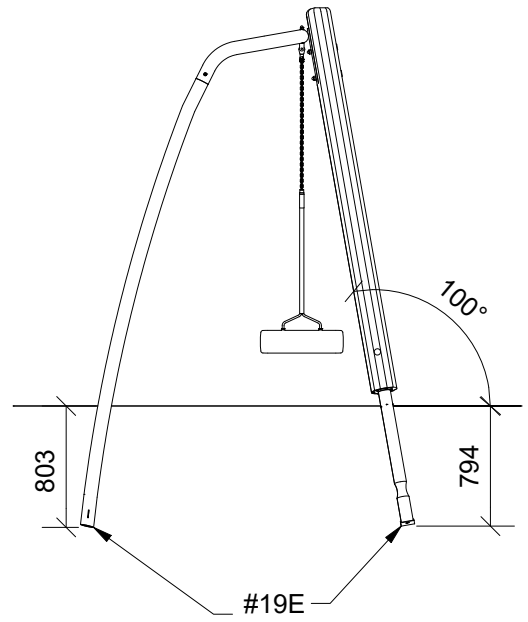
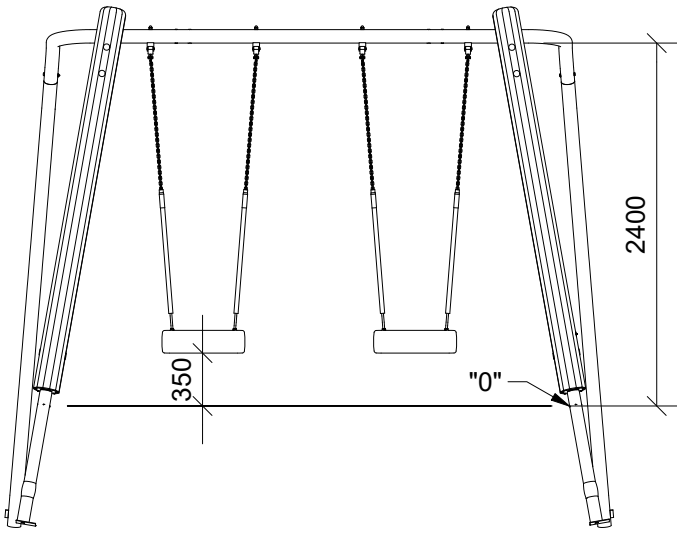
NORNA PLAYGROUNDS A/S • Virkefeltet 1, DK-8740 Brædstrup • Phone +45 7575 4199 • mail@norna-playgrounds • norna-playgrounds.com

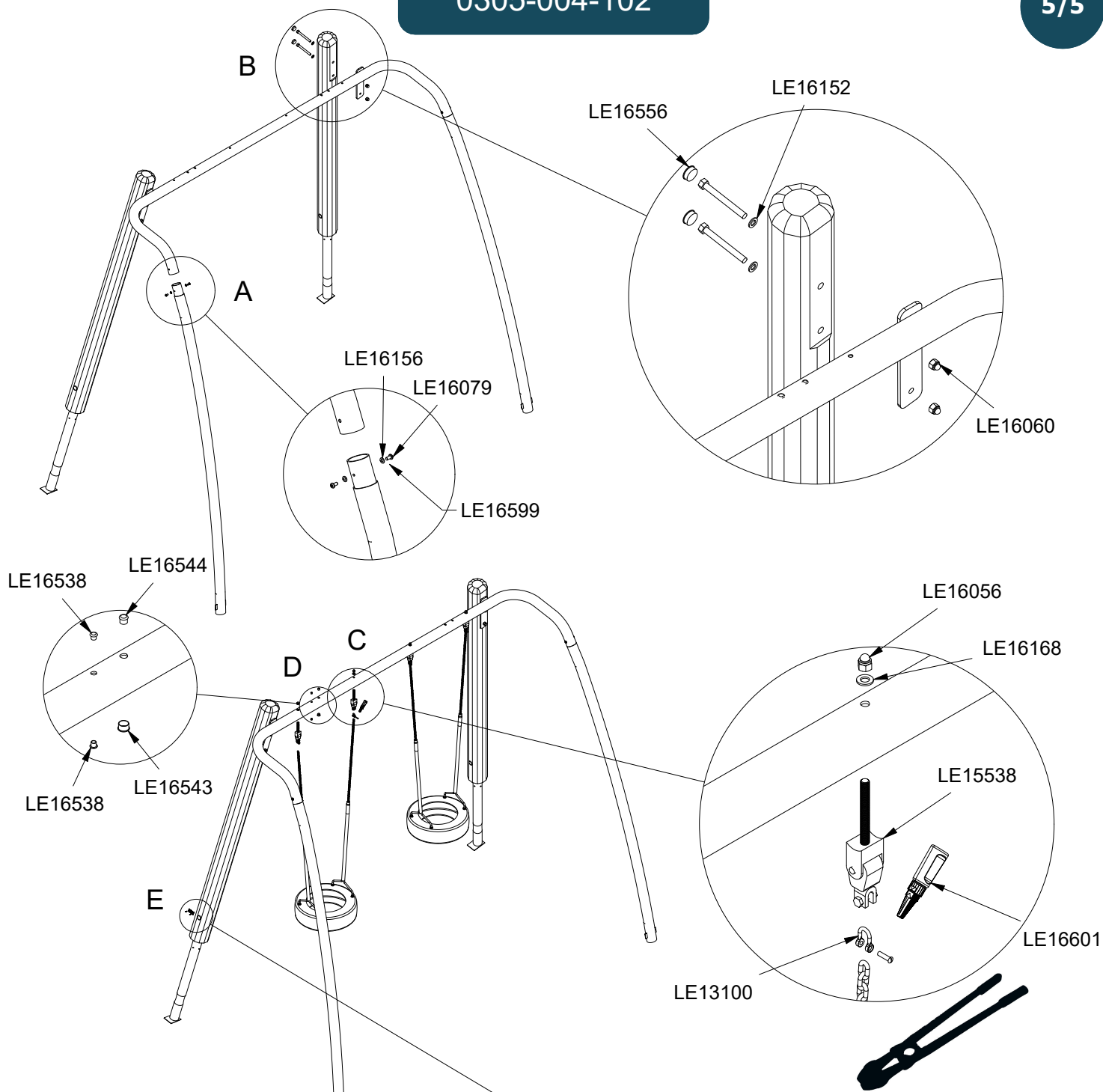
This drawing is the property of NORNA PLAYGROUNDS A/S and pursuant to current legislation may not be copied, transferred to or used by any third party. Should this drawing be used, a fee of 10% of the assumed contract price will be charged.



Parts List		
QTY	PART NO	DESCRIP.
2	D11622	Ø160-180x3495mm, assembled
2	LE20153	Swing
1	SR00158	Top, Ø89,9
2	SR00159	Ø88,9x3000mm

0305-004-002
0305-004-102





Parts List		
QTY	PART NO	DESCRIP.
4	LE13100	Shackle
4	LE15249	M16x150 mm
4	LE15538	Swing joint
2	LE15901	3x16, PH
1	LE15910	Name tag
4	LE16056	M12 cap nut
4	LE16060	M16 cap nut
4	LE16079	Buttonhead 10x20mm
4	LE16152	M16 - Ø30 mm
4	LE16156	M10-Ø20
4	LE16168	M12 - Ø24 mm
4	LE16538	Cap Ø12-14mm
2	LE16543	Cap Ø21-23mm
2	LE16544	Cap Ø15-17mm
4	LE16556	Ø42/38mm
1	LE16601	Loctite 5ml (Glue)

