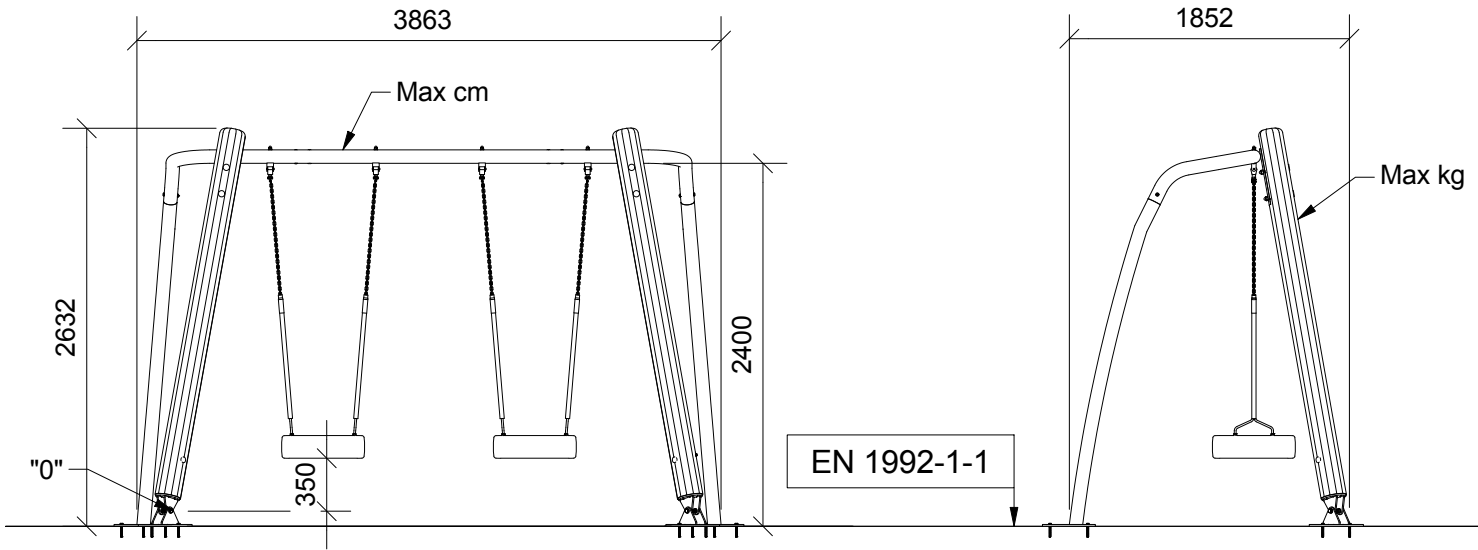
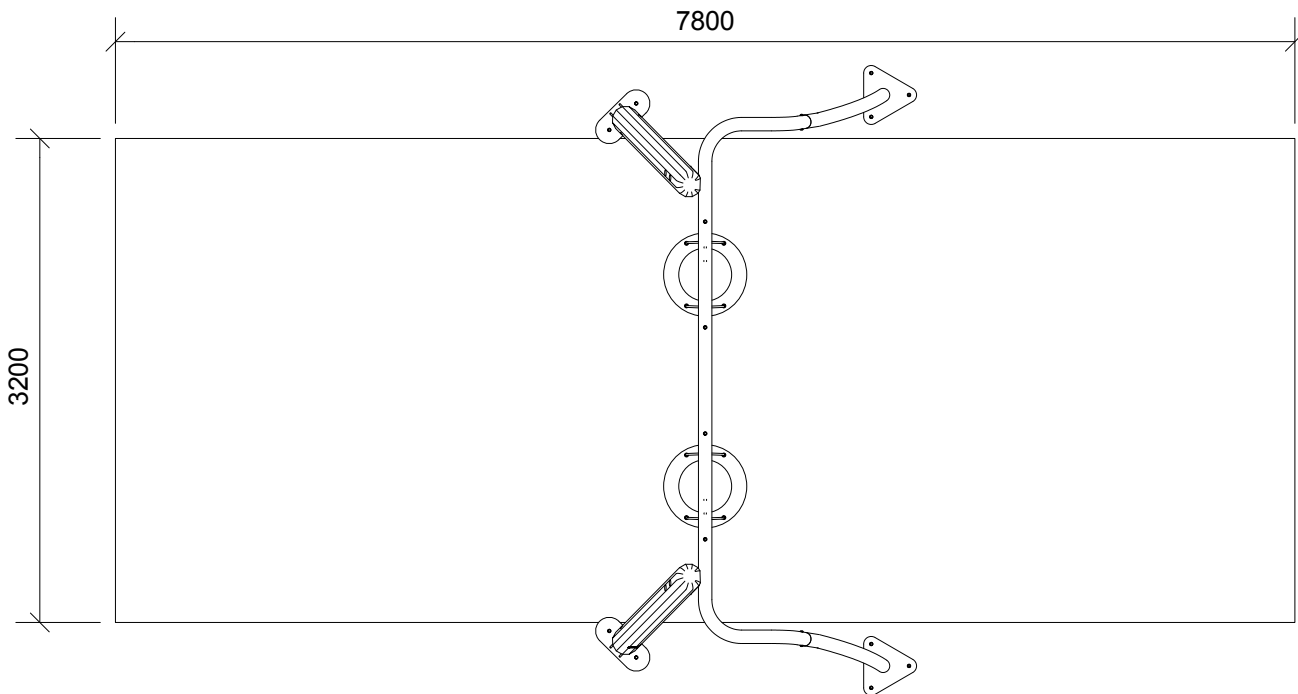


(1:50)



(1:50)



2



3h



25 m²



7,8 x 3,9 x 2,65 m



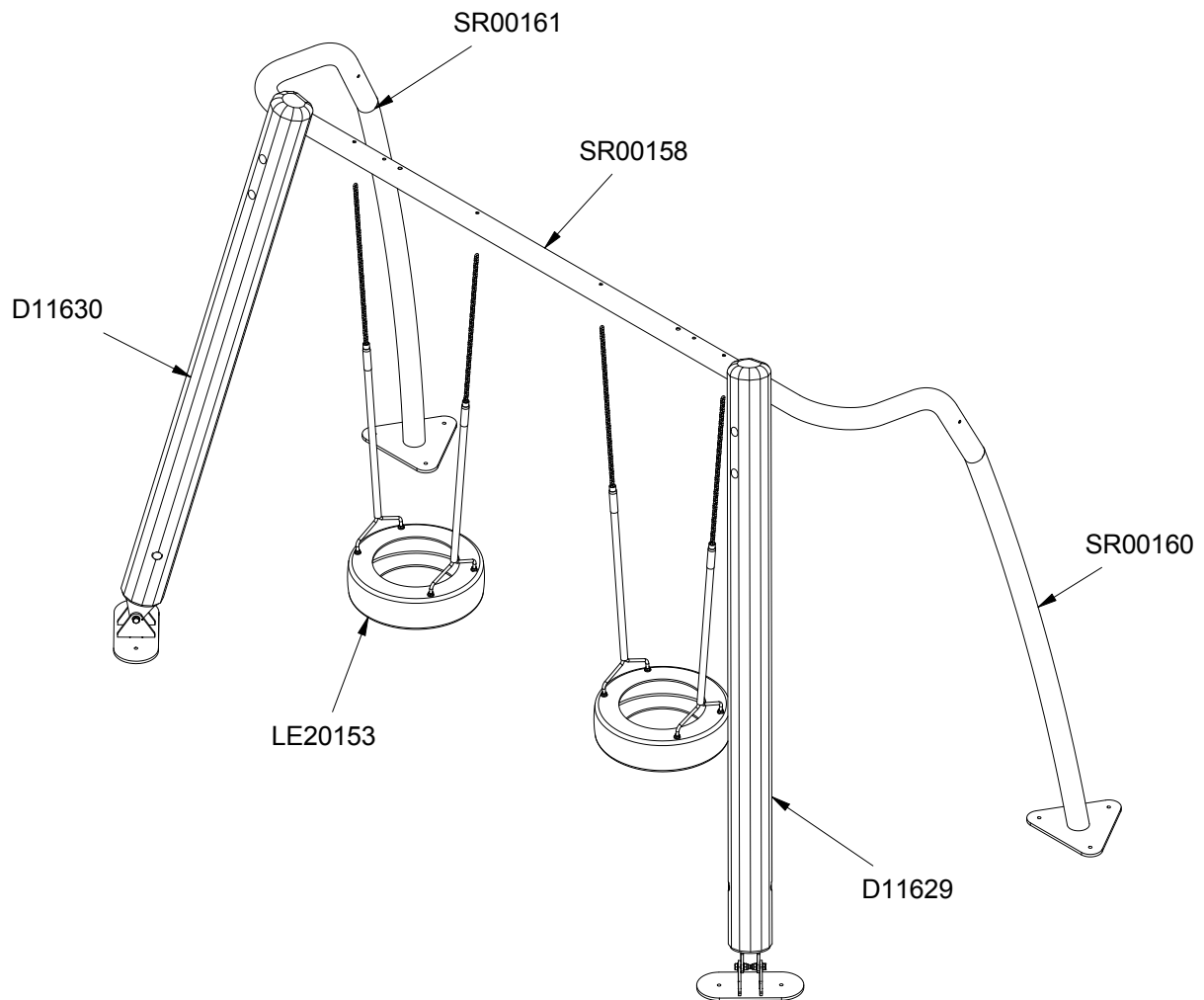
~262 kg



45x70x342 cm

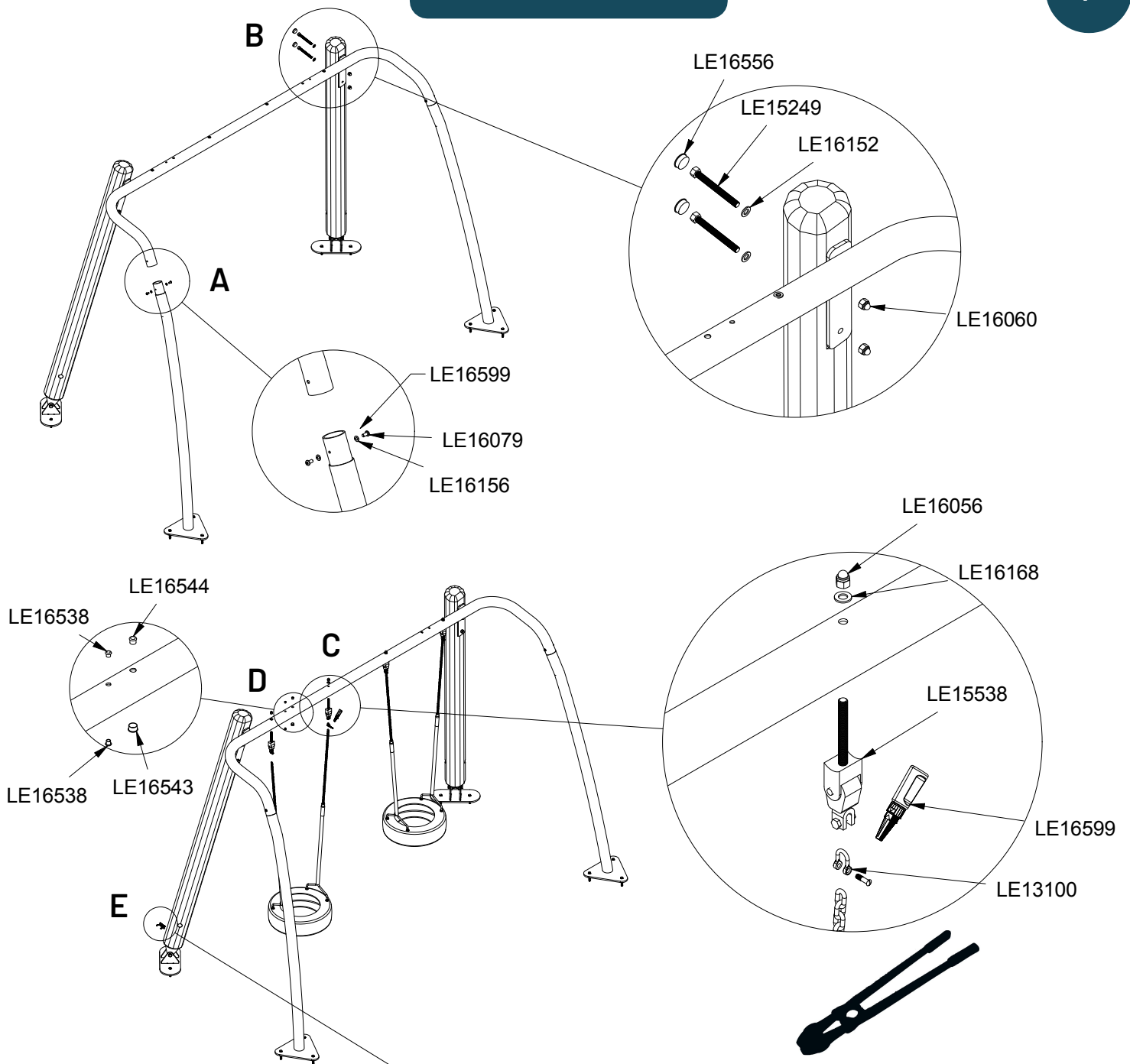


65 kg

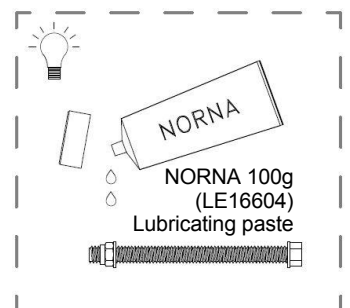
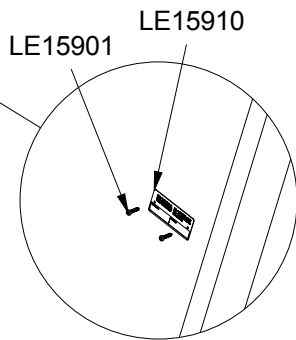


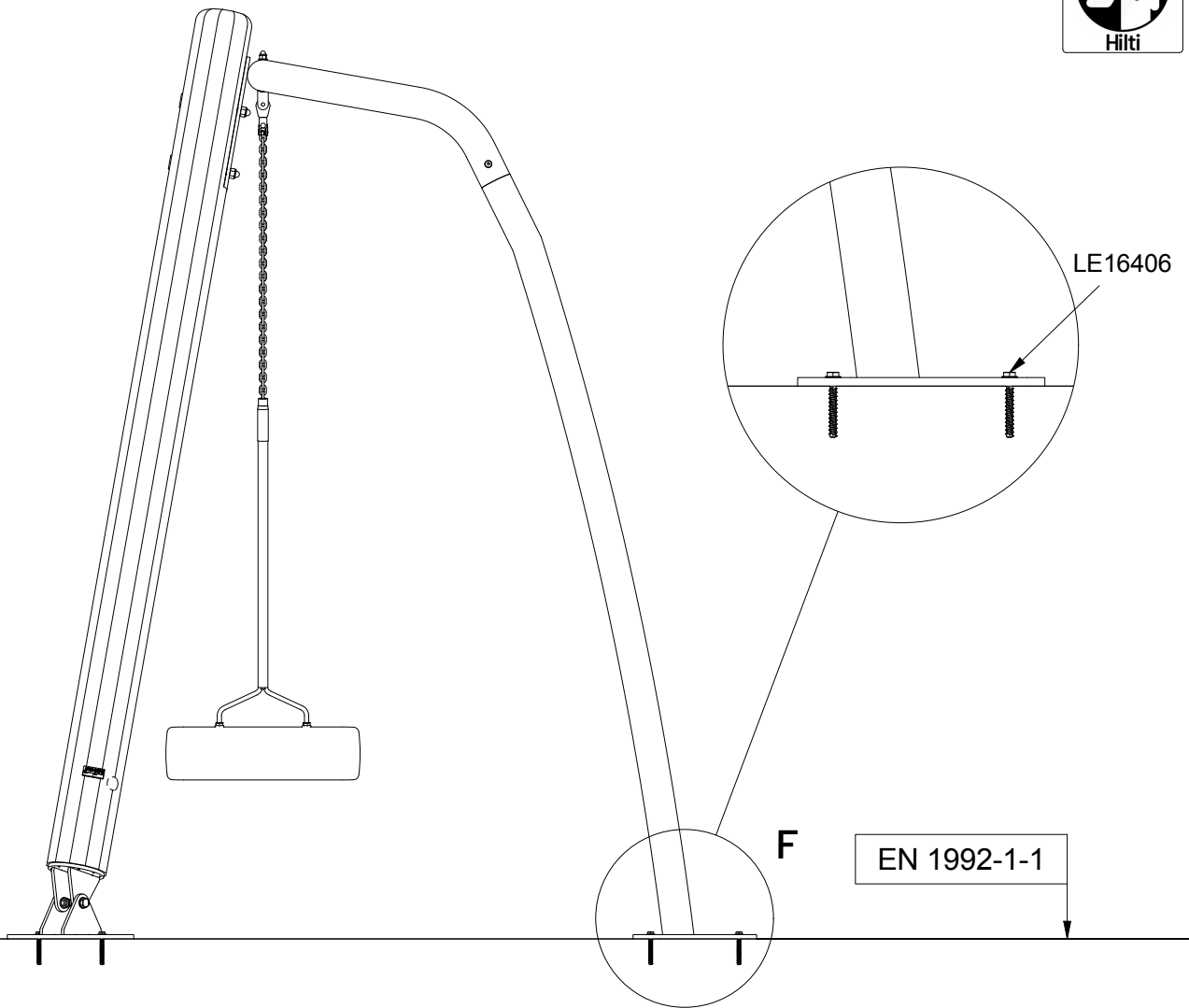
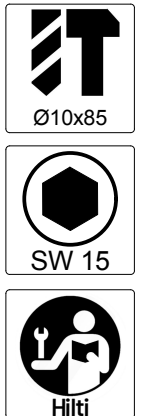
Parts List

QTY	PART NO	DESCRIP.
1	D11629	Ø160-180x2700mm, assembled
1	D11630	Ø160-180x2700mm, assembled
2	LE20153	Swing
1	SR00158	Top, Ø89,9
1	SR00160	Ø89,9 w. plate
1	SR00161	Ø89,9 w. plate



Parts List		
QTY	PART NO	DESCRIP.
4	LE13100	Shackle
4	LE15249	M16x150 mm
4	LE15538	Swing joint
2	LE15901	3x16, PH
1	LE15910	Name tag
4	LE16056	M12 cap nut
4	LE16060	M16 cap nut
4	LE16079	Buttonhead 10x20mm
4	LE16152	M16 - Ø30 mm
4	LE16156	M10-Ø20
4	LE16168	M12 - Ø24 mm
4	LE16556	Ø42/38mm
1	LE16599	Sealtite 970 1,5 ml (Glue)
4	LE16538	Cap Ø12-14mm
2	LE16543	Cap Ø21-23mm
2	LE16544	Cap Ø15-17mm
1	SR00161	Ø89,9 w. plate





Parts List

QTY	PART NO	DESCRIP.
10	LE16406	10x85 mm